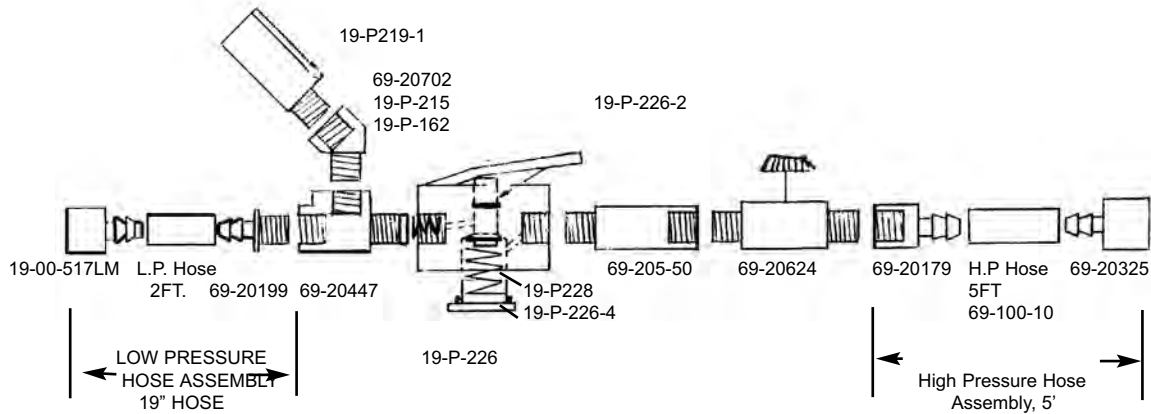


Anesthesia Associates Manual - Jet Ventilator

A Ventilating System for Rigid-Wall Bronchoscopy, Laryngeal Micro Surgery and Transtracheal Jet Ventilation.



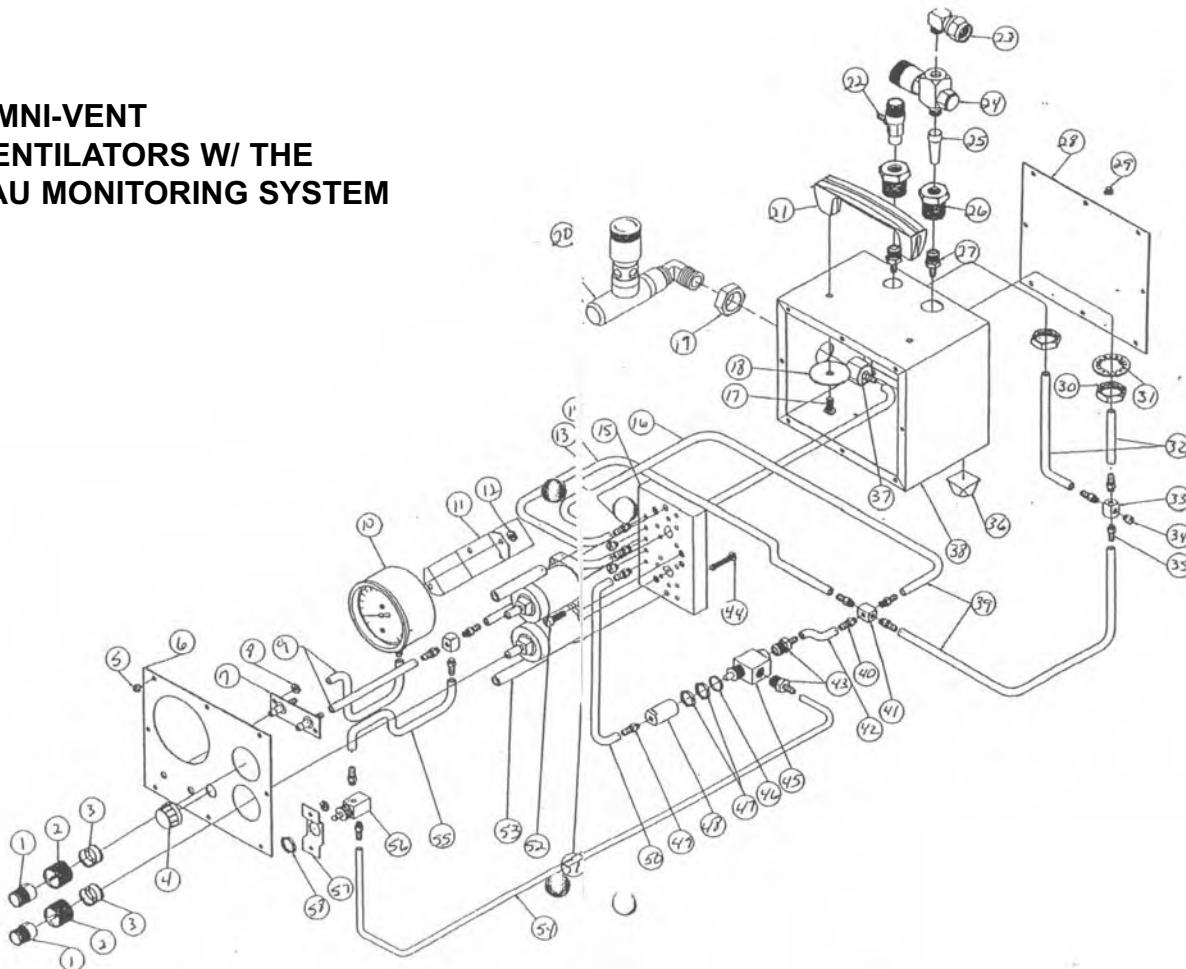
Item Number	Description	Item Number	Description
#19-00-517LM	Luer Lock Male Adapter x Hose Barb	#19-HOSE	Low Pressure Hose Assembly
#19-P162	Spring	#69-10010	Nylon Braid Hose (sold by foot)
#19-P215	Filter	#69-20179	Adapter 1/8" NPT female x 1/4" Hose Barb
#19-P219	Gauge, 0-60psi	#69-20325	D.I.S.S. Oxygen Nut & Nipple Assembly x 1/4" Hose Barb
#19-P219-1	Replacement Lens for Gauge	#69-20447	Street tee
#19-P226	Trigger Valve Assembly	#69-20550	Extension
#19-P226-2	Replacement Stem	#69-20702	Elbow 45°
#19-P226-4	Cap	#69-20199	Adapter 1/8" NPT male x 1/4" Hose Barb
#19-P228	Spring		
#69-20624	Adjustable Valve		

ALLIED OMNI-VENT

Exploded View Diagram

- | | | | |
|------------------|--------------------------|------------------|--------------------------|
| 1. #GR-SC063238 | 6/32 x 3/8 BLACK SCREW | 27. #GR-LB300014 | FRONT LABEL |
| 2. #GR-BX300003 | BACK PANEL | 28. #GR-KN000005 | IMV BLACK KNOB |
| 3. #GR-LB300009 | TOP LABEL | 29. #GR-KN300001 | LOCKING KNOB |
| 4. #GR-BX300006 | HANDLE | 30. #GR-OT1017 | PRESSURE RELIEF VALVE |
| 5. #GR-BX300004 | WRAPPER | 31. #GR-SC102438 | 10/24 x 3/8 HEX SCREWS |
| 6. #GR-LB300012 | LEFT SIDE LABEL | 32. #GR-SC103239 | 10/32 x 3/8 HEX SCREWS |
| 7. #GR-LB300011 | RIGHT SIDE LABEL | 33. #GR-BK300008 | BOTTOM SUPPORT BRACKET A |
| 8. #GR-BX300008 | CASING FEET | 34. #GR-BX300005 | BOTTOM PLATE |
| 9. #GR-SC102412 | 10/24 x 1/2 HANDLE SCREW | 35. #GR-BK300009 | TOP SUPPORT BRACKET B |
| 10. #GR-BX300002 | BACK FRAME | 36. #GR-BL000005 | ON/OFF BLOCK |
| 11. #GR-SC063201 | 6/32 x 1 BLOCK SCREW | 37. #GR-OT1018 | BRASS INLET FILTER |
| 12. #GR-BL000001 | ACRYLIC BLOCK | 38. #GR-ON000005 | ON/OFF SWITCH |
| 13. #GR-FA000001 | MJV-2 FLOW ACCELERATOR | 39. #GR-ON000007 | STRAIGHT GAS INLET |
| 14. #GR-BR180018 | 1/8 x 1/8 HOSE BARB | 40. #GR-BR000001 | BRASS TEE |
| 15. #GR-BR103218 | 10/32 x 1/8 HOSE BARB | 41. #GR-BK30001A | PRESSURE RELIEF BRACKET |
| 16. #GR-FA000002 | MPA-3 FLOW ACCELERATOR | 42. #GR-SC363201 | 6/32 x 1 SCREWS |
| 17. #GR-CP103218 | 10/323 x 1/8 COUPLING | 43. #GR-OT1017 | PRESSURE RELIEF VALVE |
| 18. #GR-BL000004 | ALUMINUM STANDOFFS | 44. #GR-BK30001B | PRESSURE RELIEF CLAMP |
| 19. #GR-BL000002 | INSP/EXP VALVES | 45. #GR-SC083201 | 8/32 x 1 SCREWS |
| 20. #GR-SC103200 | SCREW PLUGS | 46. #GR-BR103218 | 10/32 x 1/8 HOSE BARB |
| 21. #GR-NT063200 | 6/32 SCREW NUT | 47. #GR-BR000001 | BRASS TEE |
| 22. #GR-BK300005 | BLEED VALVE BRACKET | 48. #GR-FC000003 | CS1808 FLOW CONTROL |
| 23. #GR-ON000004 | BRASS BULKHEAD | 49. #GR-HS000001 | URETHANE HOSE |
| 24. #GR-BX000005 | IMV BLEED VALVE | 50. #GR-CG000004 | TAU MONITOR |
| 25. #GR-BK300007 | MANIFOLD | 51. #GR-BK300002 | SHIM PLATE |
| 26. #GR-SC363201 | 6/32 x 1/4 SCREWS | 52. #GR-BX30001B | INNER SHELL BOX |

OMNI-VENT VENTILATORS W/ THE TAU MONITORING SYSTEM



ALLIED OMNI-VENT

Exploded View Diagram

- | | | | |
|------------------|--------------------------------|------------------|------------------------------------|
| 1. #GR-KN300001 | LOCKING KNOB ASSEMBLY | 33. #GR-CP103218 | 10-32 x 1/8 COUPLING |
| 2. #GR-KN300001 | LOCKING KNOB ASSEMBLY | 34. #GR-SC103200 | 10-32 SCREW PLUG |
| 3. #GR-KN300001 | LOCKING KNOB ASSEMBLY | 35. #GR-BR103218 | 10-32 x 1/8 HOSE BARB |
| 4. #GR-KN000004 | FLOW CONTROL KNOB | 36. #GR-BX000002 | BLACK BUMPS (FEET) |
| 5. #GR-SCB63214 | BLACK PANEL SCREWS (8) | 37. #GR-OT1017 | PRESSURE RELIEF VALVE NUT CAP |
| 6. #GR-BX000001 | BLACK FRONT PLATE | 38. #GR-BX000001 | CUSTOM BOX |
| 7. #GR-MN000001 | BRASS MANIFOLD | 39. #GR-HS000001 | URETHANE HOSE |
| 8. #GR-NT063200 | 6-32 SCREW NUT | 40. #GR-BR103218 | 10-32 x 1/8 HOSE BARB |
| 9. #GR-HS000001 | URETHANE HOSE | 41. #GR-CP103218 | 10-32 x 1/8 COUPLING |
| 10. #GR-MM000001 | MANOMETER/PRESSURE GAUGE | 42. #GR-HS000001 | URETHANE HOSE |
| 11. #GR-BX200001 | PRESSURE GAUGE BRACKET | 43. #GR-BR180018 | 1/8 x 1/8 HOSE BARB |
| 12. #GR-NT063200 | 6-32 SCREW NUT | 44. #GR-SC063201 | 6-32 x 1 SCREW |
| 13. #GR-BR103218 | 10-32 x 1/8 HOSE BARB | 45. #GR-FA000001 | FLOW ACCELERATOR |
| 14. #GR-HS000001 | URETHANE HOSE | 46. #GR-FA000002 | FLOW ACCELERATOR ROUND BRASS WASH. |
| 15. #GR-BL000001 | ACRYLIC BLOCK | 47. #GR-FA000001 | FLOW ACCELERATOR HEX BRASS NUT |
| 16. #GR-HS000001 | URETHANE HOSE | 48. #GR-FA000002 | FLOW ACCELERATOR |
| 17. #GR-SC102412 | HANDLE SCREW | 49. #GR-BR103218 | 10-32 x 1/8 HOSE BARB |
| 18. #GR-WS200010 | NYLON HANDLE WASHER | 50. #GR-HS000001 | URETHANE HOSE |
| 19. #GR-OT1017 | PRESSURE RELIEF VALVE LOCK NUT | 51. #GR-BL000002 | INSP/EXP VALVES |
| 20. #GR-OT1017 | PRESSURE RELIEF VALVE | 52. #GR-BL000002 | INSP/EXP VALVES SCREW |
| 21. #GR-BX000003 | BLACK PLASTIC HANDLE | 53. #GR-BL000004 | 6-32 ALUMINUM STANDOFF |
| 22. #GR-BX000005 | TOP MOUNTED IMV BLEED VALVE | 54. #GR-HS000001 | URETHANE HOSE |
| 23. #GR-ON000003 | RIGHT ANGLE HOSE CONNECTOR | 55. #GR-HS000001 | URETHANE HOSE |
| 24. #GR-ON000005 | ON/OFF SWITCH | 56. #GR-FC000002 | FLOW CONTROL |
| 25. #GR-OT1018 | BRASS INLET FILTER | 57. #GR-BX200002 | FLOW CONTROL BRACKET |
| 26. #GR-ON000004 | BRASS BULKHEAD BODY | 58. #GR-FC000002 | FLOW CONTROL HEX NUT |
| 27. #GR-BR180018 | 1/8 x 1/8 HOSE BARB | | |
| 28. #GR-BX000001 | BACK PLATE | | |
| 29. #GR-SCB63214 | BLACK PANEL SCREWS (8) | | |
| 30. #GR-ON000004 | BRASS BULKHEAD NUT | | |
| 31. #GR-WS100010 | #10 BRONZE WASHER | | |
| 32. #GR-HS000001 | URETHANE HOSE | | |

OMNI-VENT SERIES-D/MRI VENTILATOR

