

Ventilator Support Arms

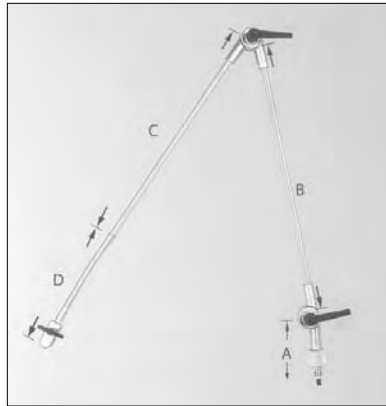
The **Model BL Series** support arms have the following prominent features that were designed for your strict requirements:

1. Easy but lightweight.
2. Easy to operate.
3. Capable of holding at least 4lbs in either still or moving condition.
4. The special design arm shafts will not come off after as many as seven unfastening turns.
5. Pivot torque nut in center of hinges is capable of sustaining considerable torque, insuring support strength integrity.
6. The friction rings are strong enough to tolerate the maximum tightening force without deforming or wearing out.



7. Shiny finished surfaces are easy to clean and maintain.

8. The flex pipe, when bent vertically or horizontally to a position at an angle as large as 30 degrees, will hold its position without any self-return movement.



#FL-BL-2020-L

LENGTH:

A= 4-3/4"

B=20"

C=16-3/4"

D= 9"

WEIGHT: 2.45LBS

#FL-BL-1020

LENGTH:

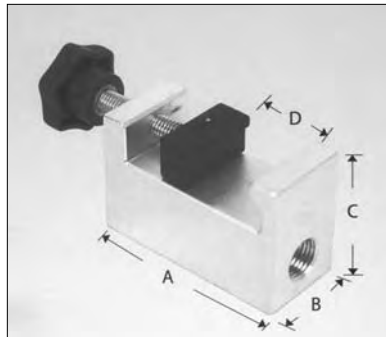
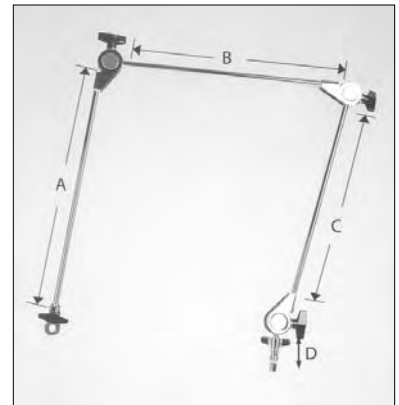
A:16"

B:14-1/2"

C:14-1/2"

D:9/16-18"

WEIGHT: 1.42LBS



MOUNTING BRACKET

#FL-MB-03

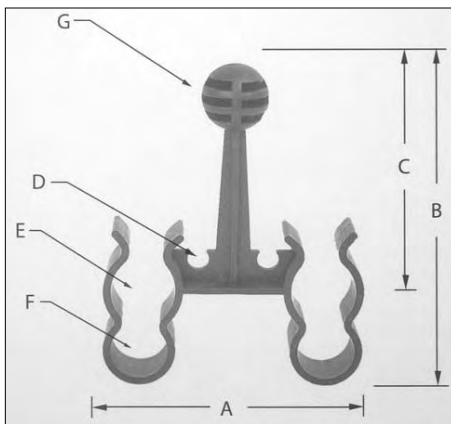
LENGTH:

A:2.708"

B:1.169"

C:1.75"

D:0.4921" MIN. TO
1.4567" MAX.



HOSE HANGER

#FL-TG-301

LENGTH:

A=2.90"

B:3.63"

C:2.55"

SIZE:

D:0.236" 2 PLCS

E:0.77" 2 PLCS

F:0.54" 2 PLCS

G:0.73"

#69-130-20

LENGTH:

A=4-3/4"

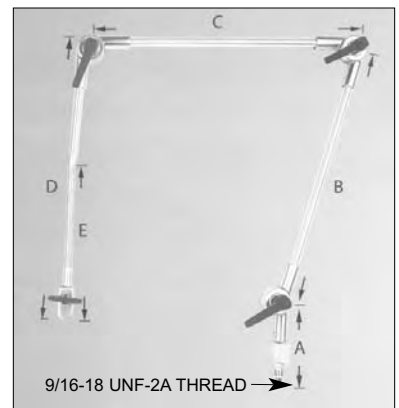
B=15-1/4"

C=15-1/4"

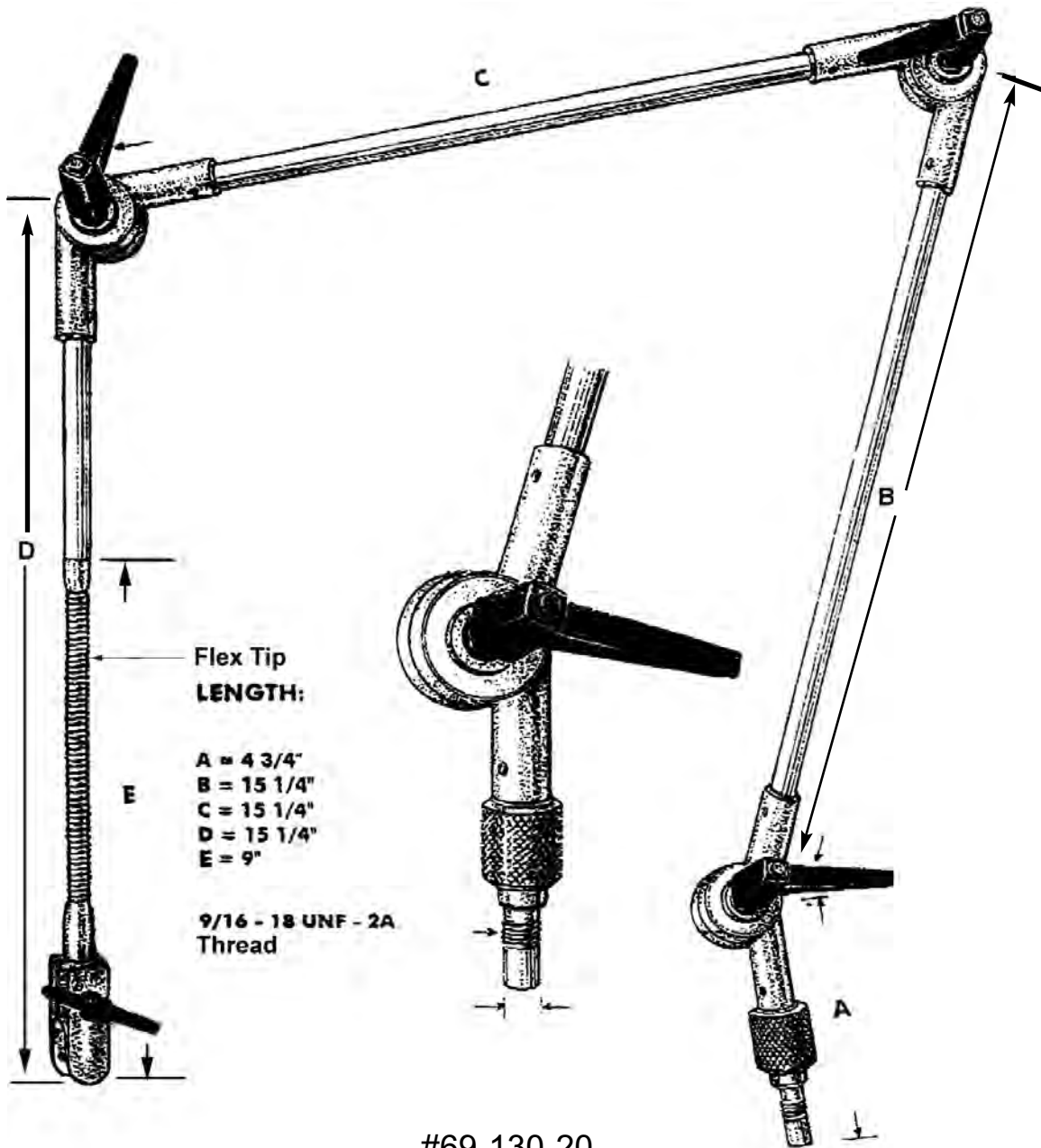
D=15-1/4"

E= 9" (FLEX TIP)

WEIGHT: 3.10LBS



Ventilator Support Arms



1. Lightweight.
2. Easy to operate.
3. Capable of holding weight of at least 4 lbs in either static or moving condition.
4. Still operational with one or even two friction rings missing.
5. The arm shafts are firmly fastened to each other through hinges and will not fall off under any circumstances.
6. The adjusting hinges will not come off after as many as seven (7) full turns.
7. The pivot torque nut positioned as an axle in the center of the hinges is capable of sustaining considerable torque resultant from movement of the arm shafts.
8. Friction rings strong enough to tolerate the maximum tightening force without deforming or wearing out.
9. Surface finish which enables easy cleaning.
10. The flex tip, when bent vertically or horizontally to a position at as large an angle as 30 degrees, will retain position without any "self-return" movement.