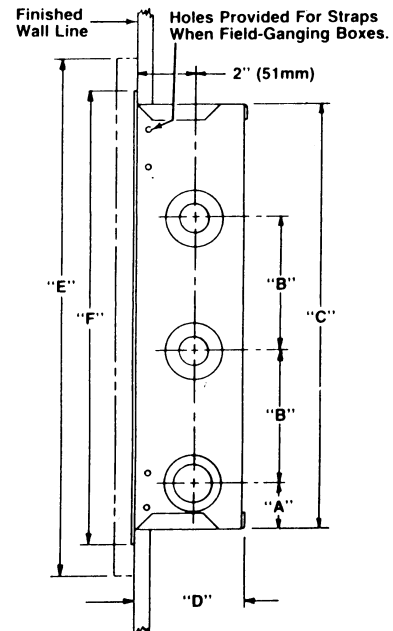
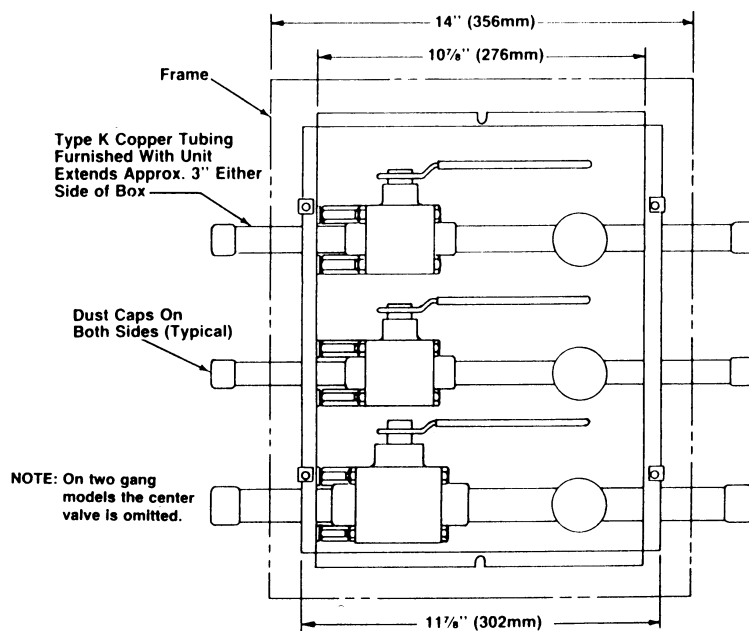


Valve Boxes/Multiple Zone

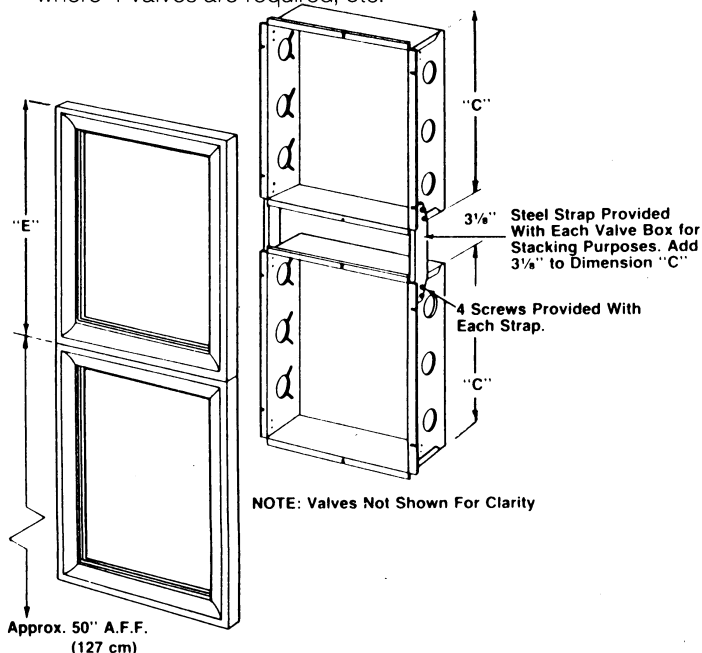


BOX DIMENSIONS — INCHES (MILLIMETERS)

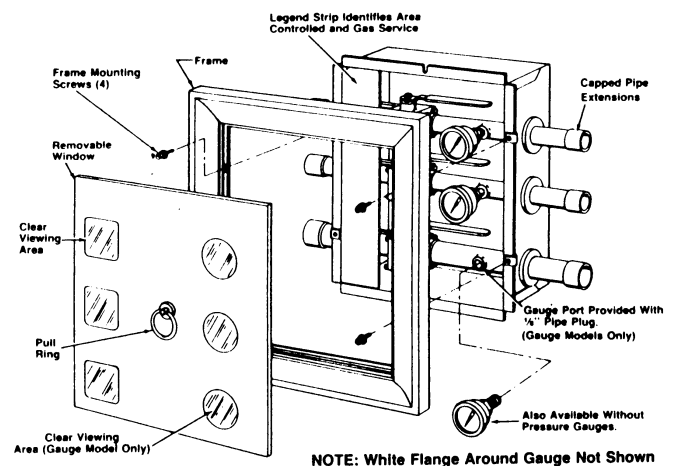
DIM	LARGEST VALVE IS 1 1/4"	BOX INCLUDES 1 1/2" or 2" VALVES
A	1 1/2" 38 mm	2 1/8" 54 mm
B	4 3/8" 111 mm	5 3/4" 146 mm
C	14" 356 mm	18 15/64" 463 mm
D	3 3/8" 92 mm	4 1/8" 105 mm
E	17 3/16" 436 mm	21 3/8" 543 mm
F	15" 381 mm	19 5/64" 488 mm

FIELD STACKING VALVE BOXES (TYPICAL FOR ALL MODELS)

Where more than 3 valves are required, Zone Valve Boxes may be stacked using steel straps provided. For example, use two Double Valve Boxes where 4 valves are required, etc.



TRIPLE VALVE BOX SHOWN EXPLODED VIEW



INSTALLATION RECOMMENDATION: Mounting height to be 50" (127 cm) above finished floor to center line of Valve Box Assembly.

Valve Boxes/Multiple Zone

2-VALVE BOX CATALOG NUMBER 32-7782 XXXX	VALVE SIZES* (inches)		WITHOUT GAUGES	GAUGE MODELS — SELECT BY PRESSURE RANGE					VALVE SIZES (millimeters)	
				(2) 0-100 psi	(1) 0-100 psi (1) 0-30" Hg	(1) 0-100 psi (1) 0-300 psi	(1) 0-30" Hg (1) 0-300 psi	(2) 0-30" Hg		
	1/2	1/2	0001	1001	1101	1201	1301	1401	13	13
	3/4	3/4	0002	1002	1102	1202	1302	1402	19	19
	1	1	0003	1003	1103	1203	1303	1403	25	25
	1 1/4	1 1/4	0004	1004	1104	1204	1304	1404	32	32
	1/2	3/4	0005	1005	1105	1205	1305	1405	13	19
	1/2	1	0006	1006	1106	1206	1306	1406	13	25
	3/4	1	0007	1007	1107	1207	1307	1407	19	25
	1/2	1 1/4	0008	1008	1108	1208	1308	1408	13	32
	3/4	1 1/4	0009	1009	1109	1209	1309	1409	19	32
	1	1 1/4	0010	1010	1110	1210	1310	1410	25	32
	1 1/2	1 1/2	0011	1011	1111	1211	1311	1411	38	38
	1	1 1/2	0013	1013	1113	1213	1313	1413	25	38
	1 1/4	1 1/2	0014	1014	1114	1214	1314	1414	32	38
	1	2	0015	1015	1115	1215	1315	1415	25	51
	1 1/4	2	0016	1016	1116	1216	1316	1416	32	51
	1 1/2	2	0017	1017	1117	1217	1317	1417	38	51
	3/4	1 1/2	0018	1018	1118	1218	1318	1418	19	38
	3/4	2	0019	1019	1119	1219	1319	1419	19	51

3-VALVE BOX CATALOG NUMBER 32-7783 XXXX	VALVE SIZES* (inches)			WITHOUT GAUGES	GAUGE MODELS — SELECT BY PRESSURE RANGE					VALVE SIZES (millimeters)		
					(3) 0-100 psi	(2) 0-100 psi (1) 0-30" Hg	(2) 0-100 psi (1) 0-300 psi	(1) 0-100 psi (2) 0-30" Hg	(1) 0-100 psi (1) 0-30" Hg (1) 0-300 psi			
	1/2	1/2	1/2	0001	1001	1101	1201	1301	1401	13	13	13
	3/4	3/4	3/4	0002	1002	1102	1202	1302	1402	19	19	19
	1	1	1	0003	1003	1103	1203	1303	1403	25	25	25
	1 1/4	1 1/4	1 1/4	0004	1004	1104	1204	1304	1404	32	32	32
	1/2	1/2	3/4	0005	1005	1105	1205	1305	1405	13	13	19
	1/2	1/2	1	0006	1006	1106	1206	1306	1406	13	13	25
	1/2	1/2	1 1/4	0007	1007	1107	1207	1307	1407	13	13	32
	1/2	3/4	3/4	0008	1008	1108	1208	1308	1408	13	19	19
	1/2	3/4	1	0009	1009	1109	1209	1309	1409	13	19	25
	1/2	3/4	1 1/4	0010	1010	1110	1210	1310	1410	13	19	32
	1/2	1	1	0011	1011	1111	1211	1311	1411	13	25	25
	1/2	1	1 1/4	0012	1012	1112	1212	1312	1412	13	25	32
	3/4	3/4	1	0013	1013	1113	1213	1313	1413	19	19	25
	3/4	3/4	1 1/4	0014	1014	1114	1214	1314	1414	19	19	32
	3/4	1	1	0015	1015	1115	1215	1315	1415	19	25	25
	3/4	1	1 1/4	0016	1016	1116	1216	1316	1416	19	25	32
	3/4	1 1/4	1 1/4	0017	1017	1117	1217	1317	1417	19	32	32
	1/2	1 1/4	1 1/4	0018	1018	1118	1218	1318	1418	13	32	32
	1	1	1 1/4	0020	1020	1120	1220	1320	1420	25	25	32
	1	1 1/2	1 1/2	0023	1023	1123	1223	1323	1423	25	38	38
	1	1 1/4	1 1/2	0024	1024	1124	1224	1324	1424	25	32	38
	1	1 1/2	2	0026	1026	1126	1226	1326	1426	25	38	51
	1 1/2	1 1/2	2	0027	1027	1127	1227	1327	1427	38	38	51
	1 1/4	1 1/2	2	0029	1029	1129	1229	1329	1429	32	38	51
	1	1	2	0032	1032	1132	1232	1332	1432	25	25	51
	3/4	3/4	1 1/2	0034	1034	1134	1234	1334	1434	19	19	38
	3/4	1	1 1/2	0035	1035	1135	1235	1335	1435	19	25	38
	3/4	3/4	2	0038	1038	1138	1238	1338	1438	19	19	51
	3/4	1	2	0039	1039	1139	1239	1339	1439	19	25	51
	1	1	1 1/2	0043	1043	1143	1243	1343	1443	25	25	38

INSTRUCTIONS: Select the valve sizes required. All valve boxes are provided with the largest valve at the bottom (*). Complete the item number using the 4 digit number below the appropriate heading. For locations requiring 4, 5, or 6 valves, refer to "Field Stacking" instructions.

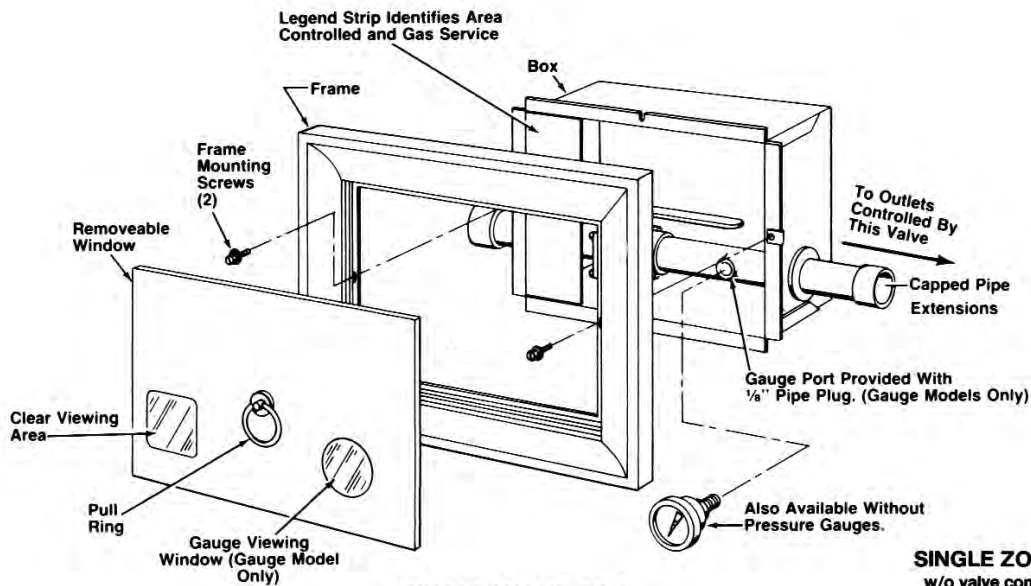
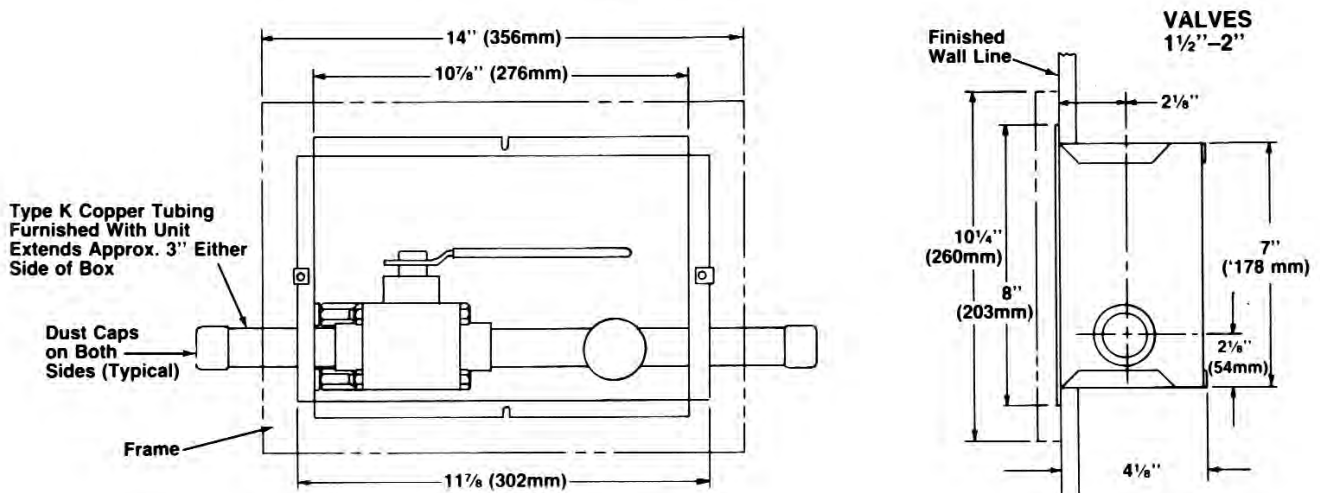
Valve Boxes/Single Zone

INSTRUCTIONS: Select the valve size. Complete the Catalog Number using the 4-digit number below the appropriate heading.

Catalog No. 32-7781 _____

VALVE SIZE (inches)	Gauge Models — Select by Pressure Range				VALVE SIZE (millimeters)
	WITHOUT GAUGE	GAUGE 0-100 psi (O ₂ -Air-N ₂ O-CO ₂)	GAUGE 0-30" Hg (Vacuum)	GAUGE 0-300 psi (Nitrogen)	
1/2"	0002	1002	1012	1022	13
3/4"	0003	1003	1013	1023	19
1"	0004	1004	1014	1024	25
1 1/4"	0005	1005	1015	1025	32
1 1/2"	0006	1006	1016	1026	38
2"	0008	1008	1018	1028	51

NOTE: Use 0-100 psi gauges for O₂, N₂O, Air, CO₂ and other gases normally set at 50 psi working pressure. Use the 0-300 psi gauge for Nitrogen or Air typically set at 150 psi working pressure.



**SINGLE VALVE BOX
EXPLODED VIEW**

SINGLE ZONE BOX ONLY
w/o valve complete with frame
& mounting hardware

32-77812001 for valves 1/2" - 1 1/4"
32-77812002 for valves 1 1/2" - 2"

* For valves 1 1/2" - 2" this dimension is 2 1/8"
** For valves 1 1/2" - 2" this dimension is 4 1/8"