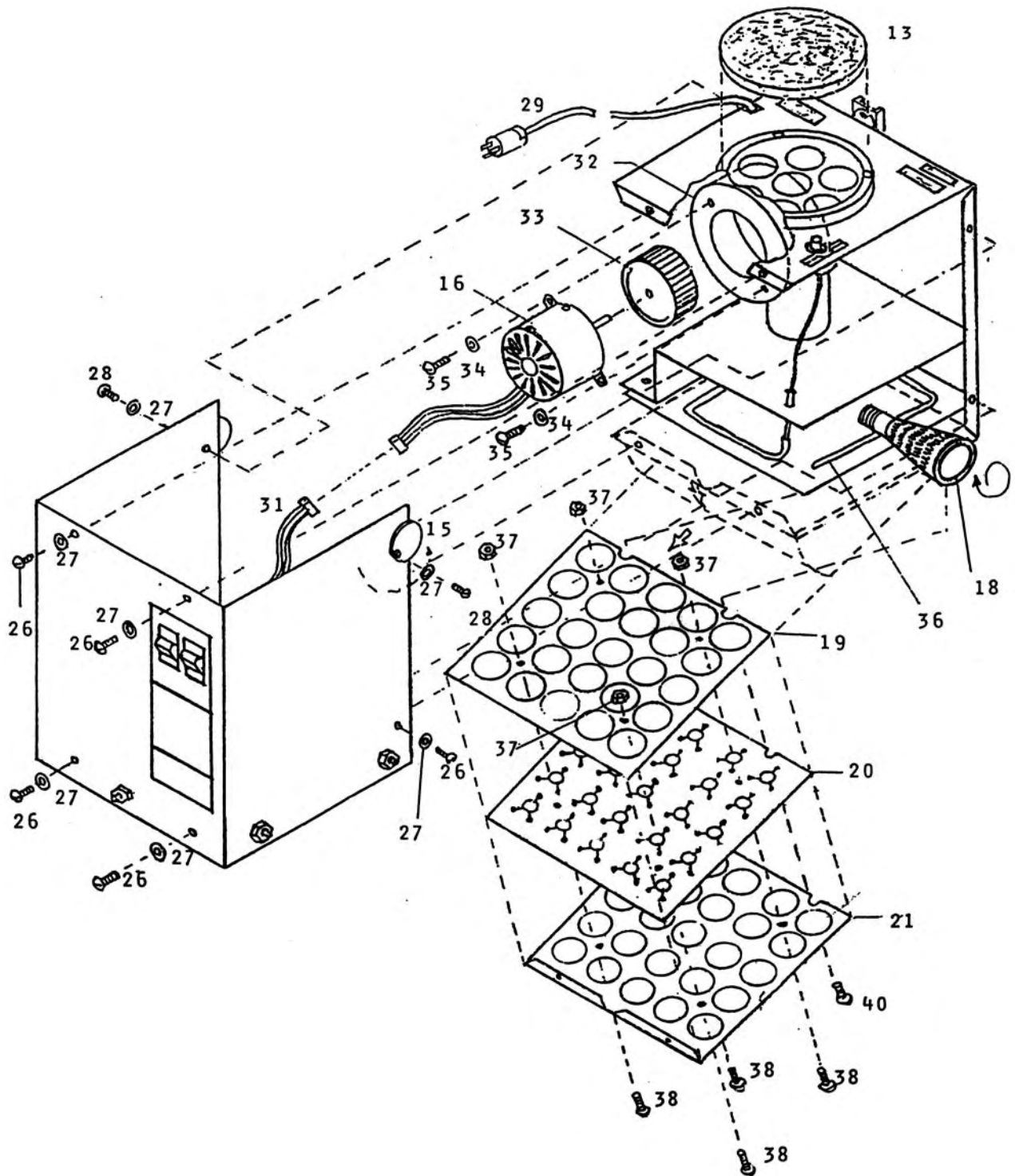
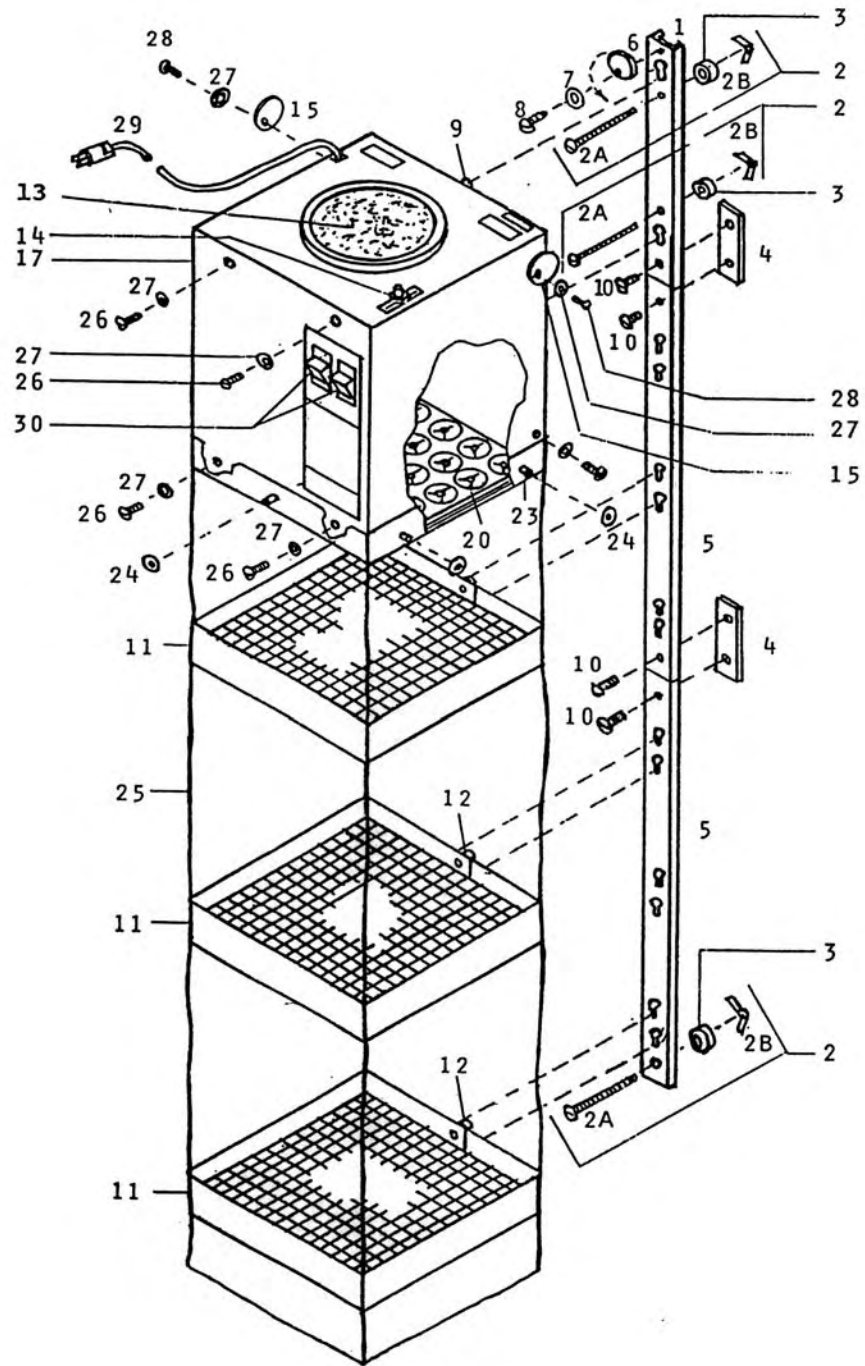


MODEL TAD-25



MODEL TAD-25



Tubing Dryers/Mistogen/MODEL - 25

REPLACEMENT PARTS LIST

Item	Part Number	Description	Item	Part Number	Description
1.	#AW-1821	Bracket	*	#AW-1850	Sw Wire Harness
2.	#AW-1358	Togglebolt (2)		#AW-1850.0001	(s/n 2396 and higher)
3.	#AW-1823	Spacer (2)	32.	#AW-1807	Blower Housing
4.	#AW-1838	Spice Plate (2)	33.	#AW-1808	Impeller
5.	#AW-1837	Bracket Strip (2)	34.	#AW-1024	Washer (4)
6.	#AW-1822	Safety Stop	35.	#AW-1362	Tap Scr 10a
7.	#AW-1041	Lockwasher, #8	36.	#AW-0714	Thermostat
8.	#AW-1007	Mach Scr, 8-32	37.	#AW-1356	Keplnut, 10-32 (4)
9.	#AW-1820	Button (2)	38.	#AW-1350	Mach Scr, 10-32
10.	#AW-1357	Mach Scr, 10-32 (4)	39.	#AW-1826	Latch Key (not shown)
11.	#AW-1875	Parts Tray Assy (3)	40.	#AW-1022	Mach Scr, 10-32 (4)
12.	#AW-1820	Button (3) (Part of 11)	41.*	#AW-2883	Transformer 230v
13.	#AW-1844	Filter			(s/n 2978 and higher)
14.	#AW-4456	Knob	42.*	#AW-0958	Keplnut, 8-32 (2)
15.	#AW-1827	Disc Stabilizer (2)			(s/n 2978 and higher)
16.*	#AW-1809	Motor 115v	43.*	#AW-1022	Mach Scr, 8-32 (2)
16.*	#AW-1888	Motor 230v	44.*	#AW-1812	Base 115V
17.	#AW-1810.03	Cover			(230v up to s/n 2977)
18.*	#AW-1819	Heater, 600w, 115V	*	#AW-1812	Base 115V
18.*	#AW-1887	Heater, 600w, 230v		#AW-1812.0001	(s/n2978 and higher)
19.	#AW-1879	Clamp Plate	45.	#AW-3199	Foot .875x10-32 (4)
20.	#AW-1878	Gasket Plate			
21.	#AW-1843	End Plate			
22.	#AW-1836	Curtain Hanger Strip			
23.	#AW-0723	Ball Stud (5)			
24.	#AW-0724	Latch (5)			
25.	#AW-1835	Curtain			
26.	#AW-1022	Mach scr, 8-32 (6)			
27.	#AW-1041	Lockwasher, #8 (8)			
28.	#AW-1007	Mach Scr, 8-32 (2)			
29.*	#AW-1860	Htr Wire Harness 115V			
		(s/n up to 2395)			
*	#AW-1860	Htr Wire Harness 115v			
	#AW-1860.0001	(s/n 2396 and higher)			
*	#AW-1890	Htr Wire Harness 230v			
		(s/n up to 2395)			
*	#AW-1890	Htr Wire Harness 230v			
	#AW-1890.0001	(s/n 2396 and higher)			
30.*	#AW-4238	Switch, Spst 115v			
		(s/n up to 2395)			
*	#AW-2216	Switch, Dpst 115v			
		(s/n 2396 and higher)			
*	#AW-4242	Switch, Spst 230v			
		(s/n up to 2395)			
*	#AW-2217	Switch, Dpst 230v			
		(s/n 2396 and higher)			
31.*	#AW-1850	Switch Wire Harness			
		(s/n up to 2395)			