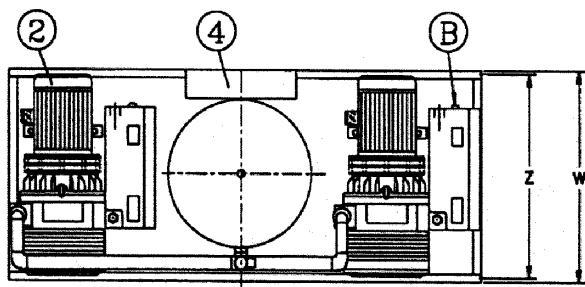
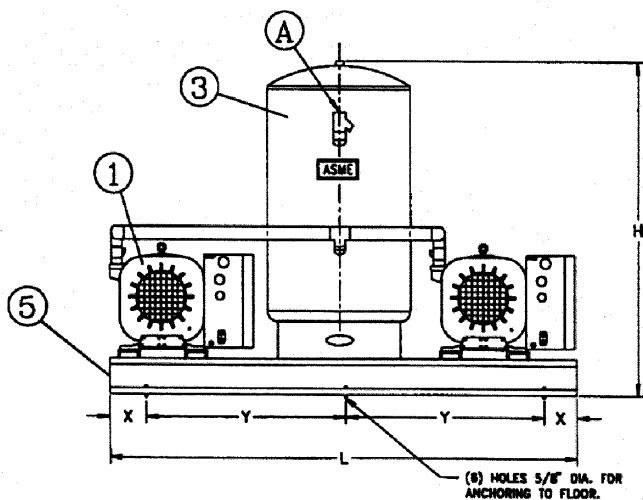


Suction Systems/Duplex Base Mounted



LEGEND

- 1 - Vacuum Pump
- 2 - Electric Motor
- 3 - Receiver
- 4 - Control Panel
- 5 - Base
- A - Air Inlet
- B - Air Discharge



NOTE:
 Typical Dimensions only.
 Not to be used for
 construction without
 consulting factory. All
 dimensions are nominal and
 subject to change without
 notice.

MODEL	A	B	L	H	W	X	Y	Z	WEIGHT (lbs)
DBRV-OF-7.5	2	2	100	81	60	10	40	58	2,500
DBRV-OF-10	2	2	100	81	60	10	40	58	2,700
DBRV-OF-15	3	3	140	81	70	15	55	68	4,600
DBRV-OF-20	3	3	140	81	70	15	55	68	5,200
DBRV-OF-25	3	3	140	81	70	15	55	68	5,500

Suction Systems/Packaged Oil/Lubricated Rotary Valve

DUPLIX UNITS

Part Number	Model Number	HP		Receiver		SCFM Delivery @			
		Each	Total	Size (gals)	RPM	19" Hg		24" Hg	
						Each	Total	Each	Total
#32-62-12-2000	D(*)RV-OF-1	1	2	80	1740	3.5	7	1.4	2.8
#32-62-12-2001	D(*)RV-OF-1.5	1.5	3	80	1740	6.1	12.2	2.4	4.8
#32-62-12-2002	D(*)RV-OF-2	2	4	120	1740	9.2	18.4	3.3	6.6
#32-62-12-2002	D(*)RV-OF-3	3	6	120	1740	13.6	27.2	5.2	10.4
#32-62-12-2064	D(*)RV-OF-5	5	10	120	1740	23.9	47.8	10	20
#32-62-12-2005	D(*)RV-OF-7.5	7.5	15	200	1740	39.3	78.6	16.3	32.6
#32-62-12-2006	D(*)RV-OF-10	10	20	240	1740	63.9	127.8	27	54
#32-62-12-2037	D(*)RV-OF-15	15	30	240	1140	84.5	169	33	66
#32-62-12-2038	D(*)RV-OF-20	20	40	240	1140	119.5	239	48.5	97
#32-62-12-2039	D(*)RV-OF-25	25	50	240	1140	148.9	297.8	61.6	123.2

*= T for Tank Mount, B for Base Mount, S for Stack Mount, VT for Vertical Tank

TRIPLEX UNITS

Part Number	Model Number	HP		Receiver		SCFM Delivery @			
		Each	Total	Size (gals)	RPM	19" Hg		24" Hg	
						Each	Total	Each	Total
#32-62-12-1999	T(*)RV-OF-1	1	3	80	1740	3.5	10.5	1.4	4.2
#32-62-12-3001	T(*)RV-OF-1.5	1.5	4.5	80	1740	6.1	18.3	2.4	7.2
#32-62-12-3002	T(*)RV-OF-2	2	6	120	1740	9.2	27.6	3.3	9.9
#32-62-12-3003	T(*)RV-OF-3	3	9	120	1740	13.6	40.8	5.2	15.6
#32-62-12-3004	T(*)RV-OF-5	5	15	120	1740	23.9	71.7	10	30
#32-62-12-3005	T(*)RV-OF-7.5	7.5	22.5	200	1740	39.3	117.9	16.3	48.9
#32-62-12-3006	T(*)RV-OF-10	10	30	240	1740	63.9	191.7	27	81
#32-62-12-3007	T(*)RV-OF-15	15	45	240	1140	84.5	253.5	33	99
#32-62-12-3008	T(*)RV-OF-20	20	60	240	1140	119.5	358.5	48.5	145.5
#32-62-12-3009	T(*)RV-OF-25	25	75	240	1140	148.9	446.7	61.6	184.8

*= B for Base Mount, S for Stack Mount, SS for Semi-stack Mount

QUADRAPLEX UNITS

Part Number	Model Number	HP		Receiver		SCFM Delivery @			
		Each	Total	Size (gals)	RPM	19" Hg		24" Hg	
						Each	Total	Each	Total
#32-62-12-XXXX	Q(*)RV-OF-5	5	20	120	1740	23.9	95.6	10	72.4
#32-62-12-XXXX	Q(*)RV-OF-7.5	7.5	30	120	1740	39.3	157.2	16.3	112
#32-62-12-XXXX	Q(*)RV-OF-10	10	40	240	1740	63.9	255.6	27	138.8
#32-62-12-XXXX	Q(*)RV-OF-15	15	60	240	1140	84.5	338	33	224.4
#32-62-12-XXXX	Q(*)RV-OF-20	20	80	240	1140	119.5	478	48.5	292
#32-62-12-XXXX	Q(*)RV-OF-25	25	100	240	1140	148.9	594	61.6	246.4

*= B for Base Mount, S for Stack Mount(2-pumps on each side of receiver)

Please Note: XXXX = Part Numbers will be issued at time of order.

LOCATION AND MOUNTING CRITERIA

The vacuum system must be installed in a clean, dry and ventilated room, ensuring an adequate amount of cooling air. The system should not be installed in an area where the ambient temperature will be less than 41⁰F or greater than 104⁰. The system should be mounted a minimum of 36 inches from walls and other obstructions to allow for proper air flow and ease of maintenance. The system should be placed on a level floor, using shims where needed to level the unit.

Call for Ordering Information

Suction Systems/Packaged Oil/Lubricated Rotary Valve

DUPLIX SYSTEMS										
PART NUMBER	MODEL	HORSEPOWER		RECEIVER	SIZE	RPM	SCFM DELIVERY @		SCFM DELIVERY @	
	NUMBER	EACH	TOTAL	TOTAL			19" Hg EA.	TOTAL	24 " Hg EA.	TOTAL
#32-62-22-2000	D(*)RV-DY-1	1	2	80	1800	3.5	7	1.3	2.6	
#32-62-22-2001	D(*)RV-DY-1.5	1.5	3	80	1800	5	10	1.7	3.4	
#32-62-22-XXXX	D(*)RV-DY-2.5	2.5	5	120	1800	8.4	16.8	3.1	6.2	
#32-62-22-2003	D(*)RV-DY-3	3	6	120	1800	10	20	4	8	
#32-62-22-XXXX	D(*)RV-DY-5F	5F	10F	120	1800	16	32	9	18	
#32-62-22-2004	D(*)RV-DY-5	5	10	120	1800	21	42	9.4	18.8	
#32-62-22-2005	D(*)RV-DY-7.5	7.5	15	200	1800	26	52	12	24	

*= T for tank mount, B for base mount, S for stack mount, and VT for vertical tank

TRIPLEX SYSTEMS										
PART NUMBER	MODEL	HORSEPOWER		RECEIVER	SIZE	RPM	SCFM DELIVERY @		SCFM DELIVERY @	
	NUMBER	EACH	TOTAL	TOTAL			19" Hg EA.	TOTAL	24 " Hg EA.	TOTAL
#32-62-22-XXXX	T(*)RV-DY-1	1	3	80	1800	3.5	10.5	1.3	3.9	
#32-62-22-3001	T(*)RV-DY-1.5	1.5	4.5	80	1800	5	15	1.7	5.1	
#32-62-22-XXXX	T(*)RV-DY-2.5	2.5	7.5	120	1800	8.4	25.2	3.1	9.3	
#32-62-22-3003	T(*)RV-DY-3	3	9	120	1800	10	30	4	12	
#32-62-22-XXXX	T(*)RV-DY-5F	5F	15F	120	1800	16	48	9	21	
#32-62-22-3004	T(*)RV-DY-5	5	15	120	1800	21	63	9.4	28.2	
#32-62-22-3005	T(*)RV-DY-7.5	7.5	22.5	120	1800	26	78	12	36	

*= B for base mount, S for stack mount, and SS for semi-stack mount.

QUADRAPLEX SYSTEMS									
PART NUMBER	MODEL NUMBER	HORSEPOWER		RECEIVER	RPM	SCFM DELIVERY @		SCFM DELIVERY @	
		EACH	TOTAL	SIZE		19" Hg EA.	TOTAL	24 " Hg EA.	TOTAL
#32-62-22-XXXX	Q(*)RV-DY-1	1	4	80	1800	3.5	14	1.3	5.2
#32-62-22-XXXX	Q(*)RV-DY-1.5	1.5	6	80	1800	5	20	1.7	6.8
#32-62-22-XXXX	Q(*)RV-DY-2.5	2.5	10	120	1800	8.4	33.6	3.1	12.4
#32-62-22-XXXX	Q(*)RV-DY-3	3	12	120	1800	10	40	4	16
#32-62-22-XXXX	Q(*)RV-DY-5F	5F	15F	120	1800	16	64	9	36
#32-62-22-XXXX	Q(*)RV-DY-5	5	20	120	1800	21	84	9.4	37.6
#32-62-22-XXXX	Q(*)RV-DY-7.5	7.5	30	120	1800	26	104	12	48

*B for Base Mount, S for Stack Mount.

Please Note: XXXX = Part Numbers will be issued at time of order.

LOCATION AND MOUNTING CRITERIA

The vacuum system must be installed in a clean, dry and ventilated room, ensuring an adequate amount of cooling air. The system should not be installed in an area where the ambient temperature will be less than 41°F (5°C) or greater than 104°F (40°C). The system should be mounted a minimum of 36 inches from walls and other obstructions to allow for proper air flow and ease of maintenance. The system should be placed on a level floor, using shims where needed to level the unit.

Call for Ordering Information