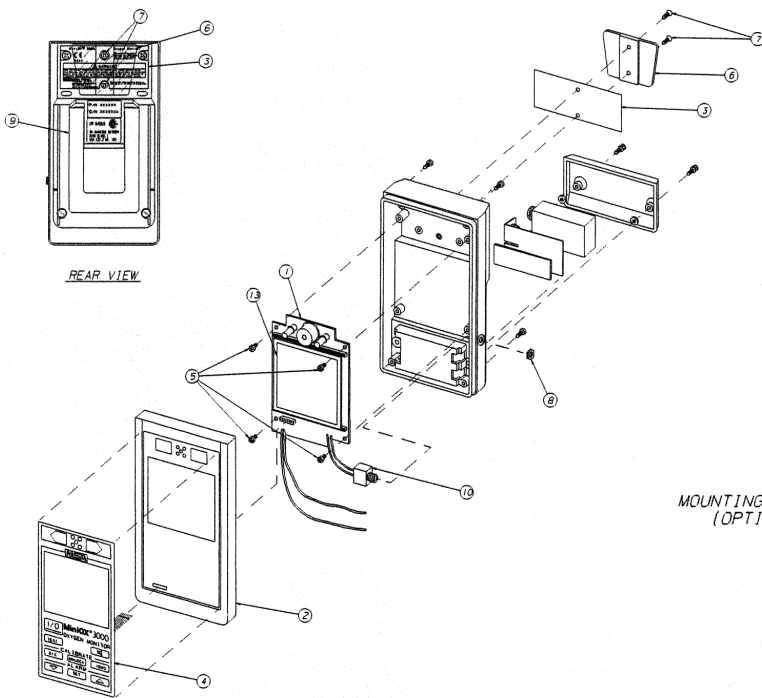


# Oxygen Analyzers/Components

## MSA (MINE SAFETY APPLIANCE)

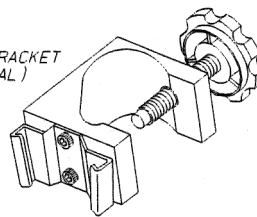
### MiniOX 3000 Exploded Assembly



### MINIOX 3000 Parts List

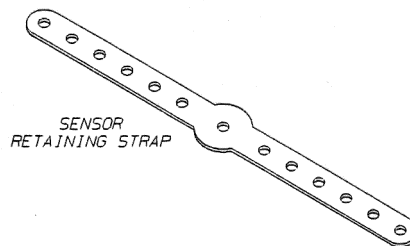
Item	Part Number	Description
1.	#50-815290	Printed Circuit Board Assembly
2.	#50-814361	Instrument Case Includes: Front Cover, Back Cover, Battery Cover and Monitor Stand)
3.	#50-814356	Back Label
4.	#50-814357	Keypad/Front Label
5.	#50-655087	Screw, Thread Forming, #4 1/4" Lg.
6.	#50-474606	Dovetail
7.	#50-631553	Screw, #6-32 1/4" Lg.
8.	#50-655030	Nut, Polycarbonate
9.	#50-655033	Monitor Stand
10.	#50-066730	Single Jack
11.	#50-710974	Battery Cover Assembly
12.	#50-814355	LCD

MOUNTING BRACKET  
(OPTIONAL)

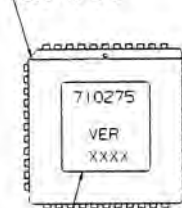


**NOTE:**

1. Label Identifying Programmed IC  
Part No. and its Version No.  
ogrammed IC Alignment Notch.



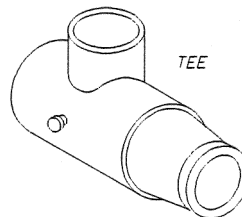
SEE NOTE 2



SEE NOTE 1

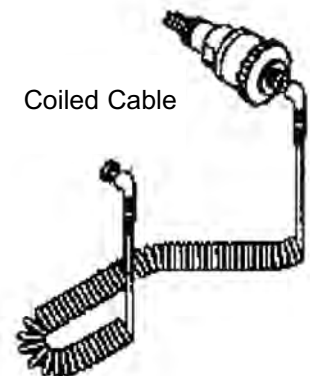
### Accessories and Replacement Parts

Part Number	Description
#10-103-05	Oxygen Sensor
#50-474664	Mounting Bracket
#50-472045	Coiled Cable
#50-473021	Tee Adapter
#50-634249	Retaining Strap
#50-814358	Operation & Service Manual
#50-814365	MiniOX3000 Oxygen Monitor
#50-803229	Deflector



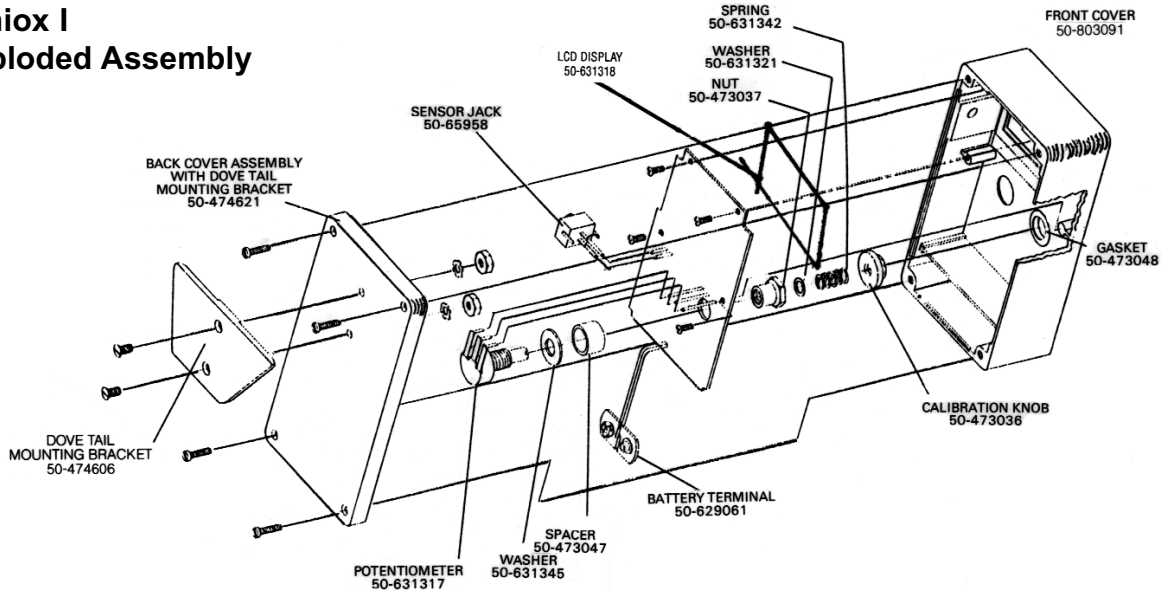
TEE

Coiled Cable

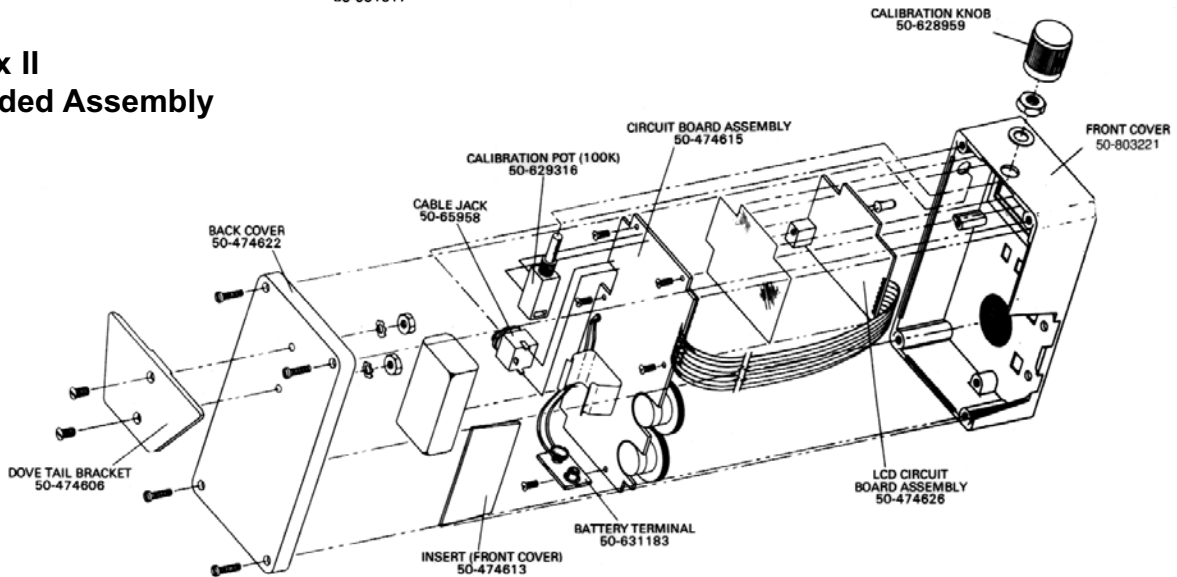


# Oxygen Analyzers/Components

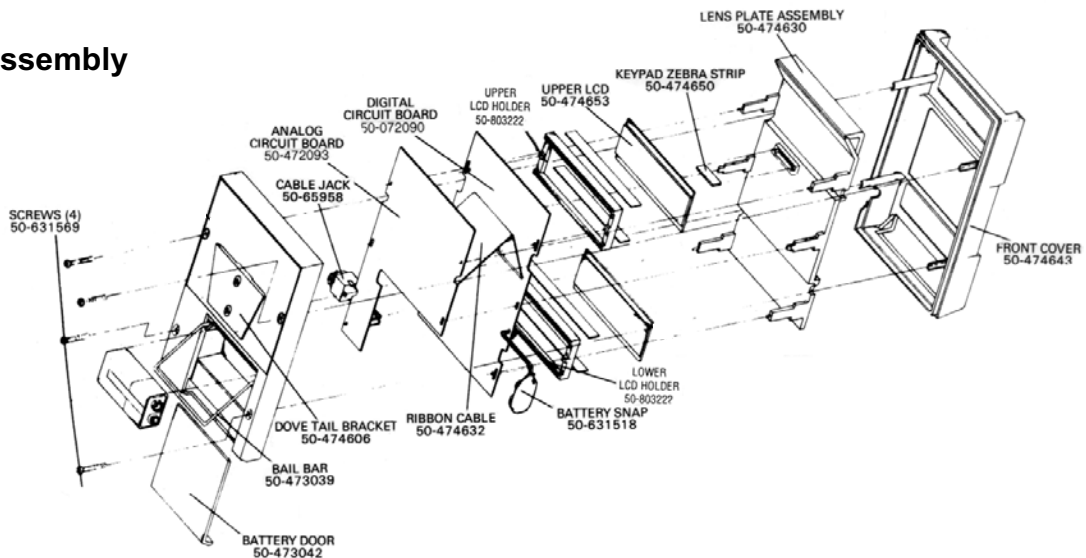
## Miniox I Exploded Assembly



## Miniox II Exploded Assembly



## Miniox III Exploded Assembly



# Oxygen Analyzers/Components

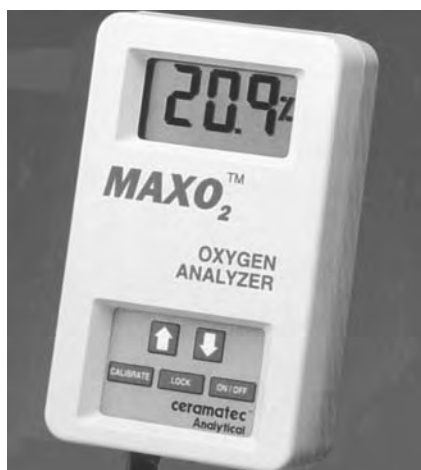
MAXTEC (formerly Ceramtec Analytical)

## MODEL NUMBER: OM-25A



PART NUMBER	UNIT NAME
#HO-R212P17	KEY PAD
#HO-R212P39	LCD ABSORBER PADS
#HO-R212P10	LCD DISPLAY
#HO-R212P35	LENS LCD DISPLAY
#HO-R212P70-001	FRONT COVER (OM-25A)
#HO-RP92P14	RUBBER BUMPERS FOR LCD (4 REC'D)
#HO-R212P69	BACK COVER (OM-25A)
#10-103-11	CAG-25 REPLACEMENT SENSOR
#HO-RP13P06	BATTERY TERMINAL
#HO-R212P38	BARBED FITTING
#HO-RP12P04-001	SENSOR CABLE-INTERNAL
#HO-RP212P91	BATTERY COVER ASSEMBLY
#HO-R212P30-002	PC BOARD ASSEMBLY

## MODEL NUMBER: OM-25AE



PART NUMBER	UNIT NAME
#HO-R212P17	KEY PAD
#HO-R212P39	LCD ABSORBER PADS
#HO-R212P10	LCD DISPLAY
#HO-R212P35	LENS LCD DISPLAY
#HO-R212P70-001	FRONT COVER (OM-25AE)
#HO-R103P16	BACK COVER W/CABLE (OM-25AE)
#10-103-08	CAG-25E REPLACEMENT SENSOR
#HO-R212P91	BATTERY COVER ASSEMBLY
#HO-R212P30-002	PCBA BOARD (OM-25AE)
#HO-RP13P06	BATTERY TERMINAL
#HO-R212P86	SENSOR CABLE- COILED
#HO-RP92P14	RUBBER BUMPERS FOR LCD (4 REQ'D)
#HO-RP95P02	CABLE GROMMET
#HO-RP61P01	CABLE TIE
#HO-RP16P02	TEE ADAPTER

## MODEL NUMBER: OM-25ME



PART NUMBER	UNIT NAME
#HO-R212P17	KEY PAD
#HO-R212P39	LCD ABSORBER PADS
#HO-R212P10	LCD DISPLAY
#HO-R212P35	LENS LCD DISPLAY
#HO-R212P75-001	FRONT COVER (OM-25ME)
#HO-RP103P16	BACK COVER W/CABLE (OM-25ME)
#10-103-08	CAG-25E REPLACEMENT SENSOR
#HO-R212P91	BATTERY COVER ASSEMBLY
#HO-R212P30-001	PCBA BOARD (OM-25ME)
#HO-RP13P06	BATTERY TERMINAL
#HO-R212P86	SENSOR CABLE - COILED
#HO-RP92P14	RUBBER BUMPERS FOR LCD (4 REQ'D)
#HO-RP95P02	CABLE GROMMET
#HO-RP61P01	CABLE TIE