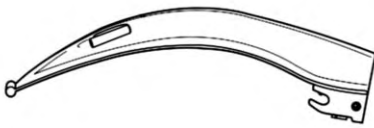


Laryngoscopes/Green System

Fiber Optic Laryngoscope Blades

- #6783-69601 Macintosh 1
- #6783-69602 Macintosh 2
- #6783-69603 Macintosh 3
- #6783-69604 Macintosh 4

Introduced May, 1983



Macintosh	Model Number	#1 Laryngoscope Blade Assembly	#2 Lite Pipe Assembly	#3 Ball Detent Screw
Macintosh 1	#6783-69601	#6783-696039-501	#6783-696003-1	#6783-686008-501
Macintosh 2	#6783-69602	#6783-696039-502	#6783-696004-1	#6783-686008-501
Macintosh 3	#6783-69603	#6783-696039-503	#6783-696005-1	#6783-686008-501
Macintosh 4	#6783-69604	#6783-696039-504	#6783-696006-1	#6783-686008-501

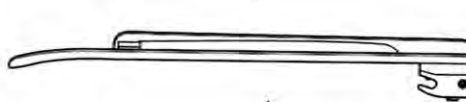
Fiber Optic Laryngoscope Blades

- #6783-68600 Miller 0
- #6783-68601 Miller 1
- #6783-68602 Miller 2
- #6783-68603 Miller 3
- #6783-68604-Miller 4

Introduced June, 1983

Miller	Model Number	#1 Laryngoscope Blade Assembly	#2 Lite Pipe Assembly	#3 Ball Detent Screw
Miller 0	#6783-68600	#6783-696039-505	#6783-686014-1	#6783-686008-501
Miller 1	#6783-68601	#6783-696039-506	#6783-686015-1	#6783-686008-501
Miller 2	#6783-68602	#6783-696039-507	#6783-686016-1	#6783-686008-501
Miller 3	#6783-68603	#6783-696039-508	#6783-686017-1	#6783-686008-501
Miller 4	#6783-68604	#6783-696039-509	#6783-686018-1	#6783-686008-501

Fiber Optic Laryngoscope Blades #6783-69613 English Mac 3



English Mac	Model Number	#1 Laryngoscope Blade Assembly	#2 Lite Pipe Assembly	#3 Ball Detent Screw
English Mac 3	#6783-69613	#6783-696037-501	#6783-696036-1	#6783-686008-501

English Mac 3 #6783-69613 #6783-696037-501 #6783-696036-1 #6783-686008-501

Laryngoscopes/Welch Allyn/"Convertible"

Standard Convertible Laryngoscope Blades

#6783-69041 Macintosh 1
 #6783-69042 Macintosh 2
 #6783-69043 Macintosh 3
 #6783-69044 Macintosh 4

Standard Convertible Laryngoscope Blades

#6783-69241 English Macintosh 1
 #6783-69242 English Macintosh 2
 #6783-69243 English Macintosh 3
 #6783-69244 English Macintosh 4

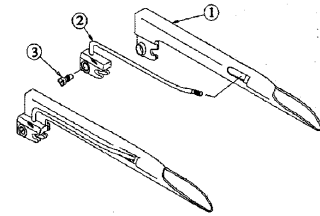
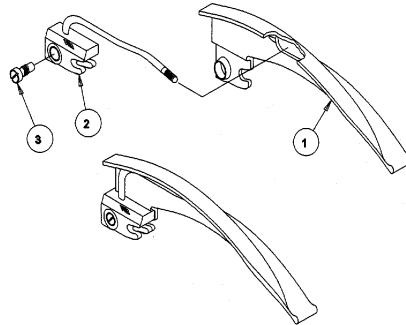
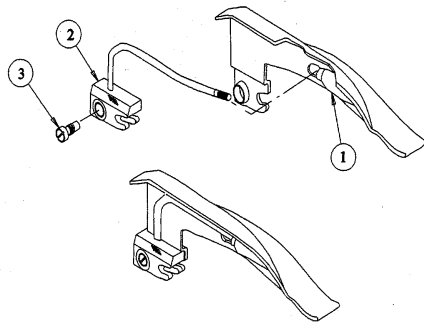
Standard Convertible Laryngoscope Blades

#6783-68040 Miller 0
 #6783-68041 Miller 1
 #6783-68042 Miller 2
 #6783-68043 Miller 3
 #6783-68044 Miller 4
 #6783-68045 Miller 00

Introduced September, 1997

Introduced December, 1991

Introduced November, 1990



	#1	#2	#3
Model	Laryngoscope Blade Assembly	Lite Pipe Assembly	Ball Detent Screw
Macintosh 1	#6783-69041	#6783-680133-501	#6783-690015-501
Macintosh 2	#6783-69042	#6783-680133-502	#6783-690015-501
Macintosh 3	#6783-69043	#6783-680133-503	#6783-690015-501
Macintosh 4	#6783-69044	#6783-680133-504	#6783-690015-501

	#1	#2	#3
English Macintosh	Model Number	Laryngoscope Blade Assembly	Lite Pipe Assembly
Macintosh 1	#6783-69241	#6783-692100-1	#6783-692046-1
Macintosh 2	#6783-69242	#6783-692100-2	#6783-692046-2
Macintosh 3	#6783-69243	#6783-692100-3	#6783-690411-7
Macintosh 4	#6783-69244	#6783-692100-4	#6783-690411-8

	#1	#2	#3
Miller	Model Number	Laryngoscope Blade Assembly	Lite Pipe Assembly
Miller 0	#6783-68040	#6783-690005-20	#6783-680400-1
Miller 1	#6783-68041	#6783-690005-21	#6783-680400-2
Miller 2	#6783-68042	#6783-690005-22	#6783-680400-3
Miller 3	#6783-68043	#6783-690005-23	#6783-680400-4
Miller 4	#6783-68044	#6783-690005-24	#6783-680400-5
Miller 00	#6783-68045	#6783-690005-25	#6783-680400-6

Fiber Optic Laryngoscope Blades

#6783-68060 Miller 0
 #6783-68061 Miller 1
 #6783-68062 Miller 2
 #6783-68063 Miller 3
 #6783-68064 Miller 4
 #6783-68065 Miller 00

Introduced September, 1997

Fiber Optic Convertible Laryngoscope Blades

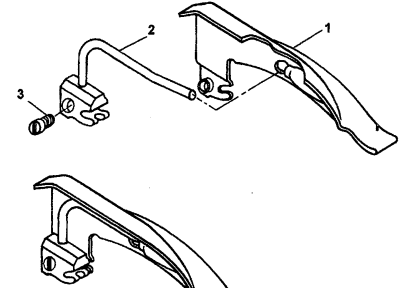
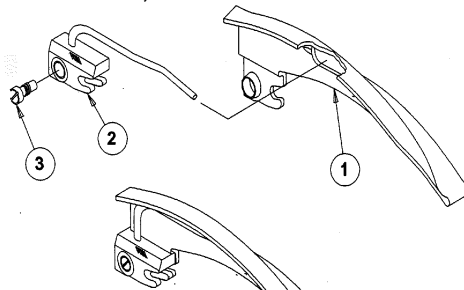
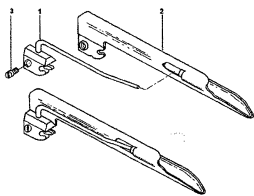
#6783-69211 English Macintosh 1
 #6783-69212 English Macintosh 2
 #6783-69213 English Macintosh 3
 #6783-69214 English Macintosh 4

Introduced December, 1991

Fiber Optic Convertible Laryngoscope Blades

#6783-69061 Macintosh 1
 #6783-69062 Macintosh 2
 #6783-69063 Macintosh 3
 #6783-69064 Macintosh 4

Introduced Sept. 1990



	#1	#2	#3
Miller	Model Number	Laryngoscope Blade Assembly	Lite Pipe Assembly
Miller 0	#6783-68060	#6783-680060-1	#6783-690005-20
Miller 1	#6783-68061	#6783-680061-1	#6783-690005-21
Miller 2	#6783-68062	#6783-680062-1	#6783-690005-22
Miller 3	#6783-68063	#6783-680063-1	#6783-690005-23
Miller 4	#6783-68064	#6783-680064-1	#6783-690005-24
Miller 00	#6783-68065	#6783-680065-1	#6783-690005-25

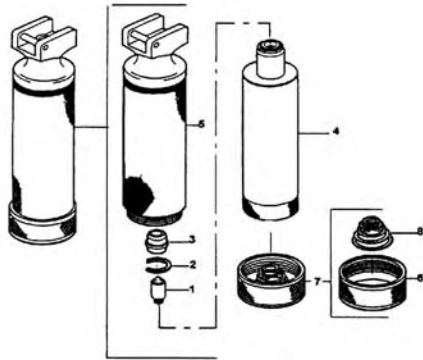
	#1	#2	#3
English Macintosh	Model Number	Laryngoscope Blade Assembly	Lite Pipe Assembly
English Macintosh 1	#6783-69211	#6783-692100-1	#6783-692016-1
English Macintosh 2	#6783-69212	#6783-692100-2	#6783-692017-2
English Macintosh 3	#6783-69213	#6783-692100-3	#6783-692018-3
English Macintosh 4	#6783-69214	#6783-692100-4	#6783-692019-4

	#1	#2	#3
Macintosh	Model Number	Laryngoscope Blade Assembly	Lite Pipe Assembly
Macintosh 1	#6783-69061	#6783-690105-1	#6783-690061-1
Macintosh 2	#6783-69062	#6783-690105-2	#6783-690062-2
Macintosh 3	#6783-69063	#6783-690105-3	#6783-690063-2
Macintosh 4	#6783-69064	#6783-690105-4	#6783-690064-2

Laryngoscope Handles/Green System

#6783-60803 Medium F/O Handle "C" Batteries
Introduced May, 1983

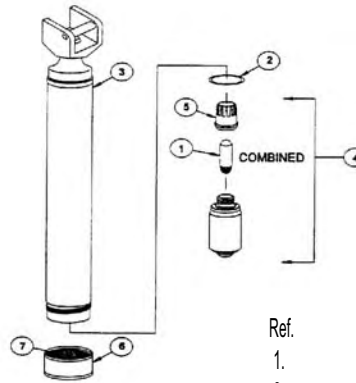
#6783-60803



Ref.	Part No.	Description
1.	#6783-06000	Lamp
2.	#6783-608017	Retaining Ring
3.	#6783-608019	Switch Plunger
4.	#6783-608031-501	Inner Tube Assembly
5.	#6783-608034-502	Outer Tube Assembly
6.	#6783-608037	Bottom Cap
7.	#6783-608065	Bottom Cap Assembly
8.	#6783-707039-1	Bottom Cap Spring

#6783-60814 Small F/O Handle "AA" Batteries
Introduced Sept, 1990

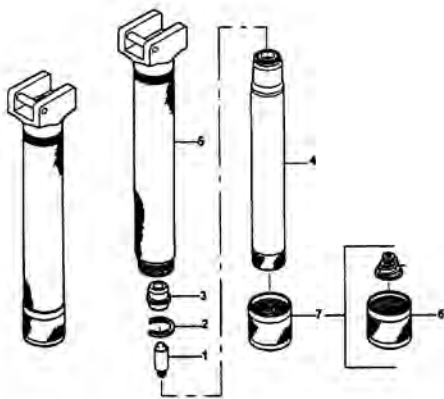
#6783-60814



Ref.	Part No.	Description
1.	#6783-06000	Lamp
2.	#6783-106108-1	O Ring
3.	#6783-608104-501	Handle Sub Assy.
4.	#6783-608105-501	Cartridge Assembly
5.	#6783-608107	Switch Plunger
6.	#6783-608114	Bottom Cap
7.	#6783-706106-1	Bottom Cap Spring

#6783-60804 Small F/O Handle "AA" Batteries
Introduced May, 1983

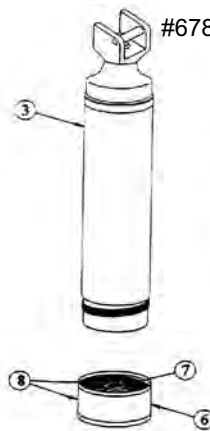
#6783-60804



Ref.	Part No.	Description
1.	#6783-06000	Lamp
2.	#6783-608017	Retaining Ring
3.	#6783-608019	Switch Plunger
4.	#6783-608041-501	Inner Tube Assembly
5.	#6783-608047-501	Outer Tube Assembly
6.	#6783-608050	Bottom Cap
7.	#6783-608064	Bottom Cap Assembly
8.	#6783-706106-1	Bottom Cap Spring

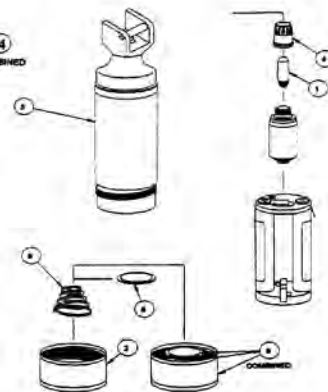
#6783-60813 Medium F/O Handle "C" Batteries
Introduced Sept, 1990

#6783-60813



Ref.	Part No.	Description
1.	#6783-06000	Lamp
2.	#6783-106108-1	O Ring
3.	#6783-608103-501	Handle Sub Assembly
4.	#6783-608105-501	Cartridge Assembly
5.	#6783-608107	Switch Plunger
6.	#6783-705040	Bottom Cap
7.	#6783-707039-1	Bottom Cap Spring
8.	#6783-705042	Bottom Cap Assembly

#6783-60815 F/O Stubby Handle
Introduced June, 1991

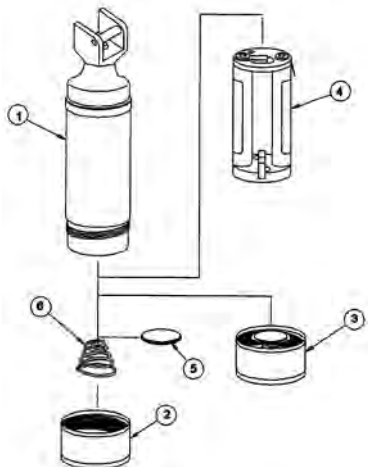


Ref.	Part No.	Description
1.	#6783-06000	Lamp
2.	#6783-608037	Bottom Cap
3.	#6783-608105-501	Cartridge Assembly
4.	#6783-608107	Switch Plunger
5.	#6783-608201-501	Handle Sub Assembly
6.	#6783-608202-501	Bottom Cap Assembly
7.	#6783-608203-501	Battery Pack Assembly
8.	#6783-608217	Insulator
9.	#6783-707039	Bottom Cap Spring

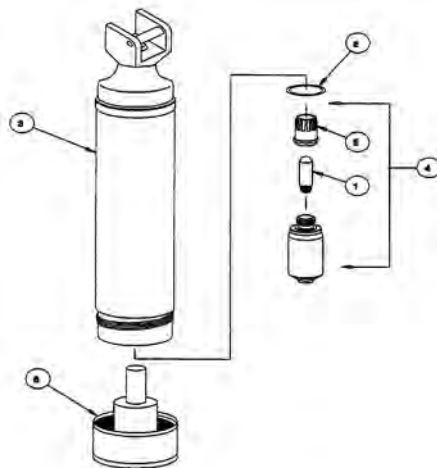
Laryngoscopes/Handles

#6783-60713 Medium Rechargeable Handle for Desk Charger, introduced September, 1990

#6783-60305 Std. Stubby Handle Introduced June, 1991

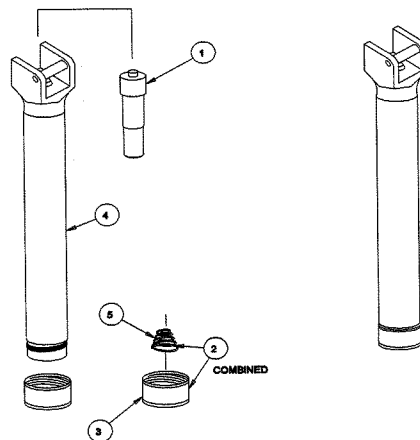


Ref.	Part No.	Description
1.	#6783-603107-501	Handle Sub Assembly
2.	#6783-608037	Bottom Cap
3.	#6783-608202-501	Bottom Cap Assembly
4.	#6783-608203-501	Battery Pack Assembly
5.	#6783-608217	Insulator
6.	#6783-707039	Bottom Cap Spring



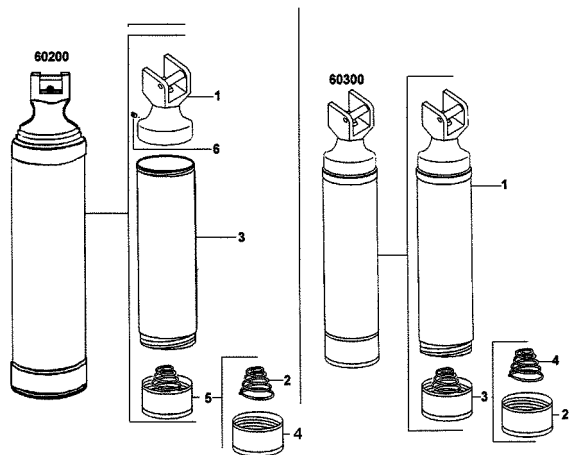
Ref.	Part No.	Description
1.	#6783-06000	Lamp
2.	#6783-106108-1	O-Ring
3.	#6783-608103-502	Handle Sub Assembly
4.	#6783-608105-501	Cartridge Assembly
5.	#6783-608107	Switch Plunger
6.	#6783-716101-502	Bottom Cap Assembly
7.	#6783-72000	2.5V Rechargeable Battery (Not Shown)

#6783-60400 Hook-On Autoclavable Laryngoscope Handle



Ref.	Part No.	Description
1.	#6783-602019-501	Insulator Assembly
2.	#6783-604004-502	Bottom Cap Assembly
3.	#6783-604013	Bottom Cap
4.	#6783-604014-502	Handle Assembly
5.	#6783-604017-1	Bottom Cap Spring

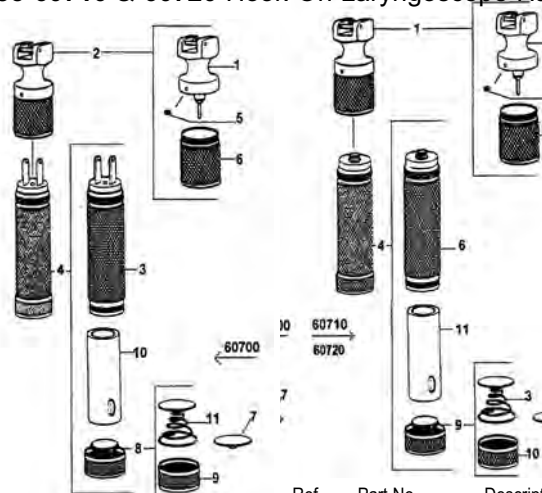
#6783-60200 Hook-On Laryngoscope Handles #6783-60300 Hook-On Laryngoscope Handles



Ref.	Part No.	Description
1.	#6783-602021-501	Hook-On Neck Assembly
2.	#6783-700030-3	Bottom Cap Spring
3.	#6783-700069	Handle Tube
4.	#6783-700070-1	Bottom Cap
5.	#6783-700073-501	Bottom Cap Assembly
6.	#6783-710114	Set Screw

Ref.	Part No.	Description
1.	#6783-603028-501	Handle Sub-Assembly
2.	#6783-705040	Bottom Cap
3.	#6783-705042	Bottom Cap Assembly
4.	#6783-707039-1	Bottom Cap Spring

#6785-60700 Hook-On Laryngoscope Handles #6785-60710 & 60720 Hook-On Laryngoscope Handles



Ref.	Part No.	Description
1.	#6783-607007-501	Hook-On Neck Sub-Assy.
2.	#6783-617010	Hook-On Neck Assy.
3.	#6783-707102-501	Handle-Tube Sub Assy.
4.	#6783-70750	2.5V Rechargeable Bottom
5.	#6783-710114	2-56 x 1/16 LG Set Screw
6.	#6783-717004	Top Cap Sleeve
7.	#6783-717409	Bottom Cap Insulator
8.	#6783-714410-501	Bottom Cap Assembly
9.	#6783-717411-1	Bottom Cap Finished
10.	#6783-72000	2.5V Rechargeable Battery
11.	#6783-707037	Bottom Cap Spring Assy.

Ref.	Part No.	Description
1.	#6783-607201-501	Hook-On Neck Assy.
1.	#6783-607203-501	Hook-On Neck Assy.
2.	#6783-607206-501	Hook-On Neck Sub Assy.
2.	#6783-607206-502	Hook-On Neck Sub Assy.
3.	#6783-707037	Bottom Cap Spring Assy.
4.	#6783-70751	2.5V Rechargeable Bottom
4.	#6783-70754	2.5V Rechargeable Battery
5.	#6783-710114	2-56 x 1/16 LG Set Screw
6.	#6783-710225-502	HandleTube Sub-Assy.
6.	#6783-710225-504	HandleTube Sub-Assy.
7.	#6783-717004	Top Cap Sleeve
8.	#6783-717409	Bottom Cap Insulator
9.	#6783-717410-501	Bottom Cap Assy.
10.	#6783-717411-1	Bottom Cap, Finished
11.	#6783-72000	2.5 Rechargeable Battery