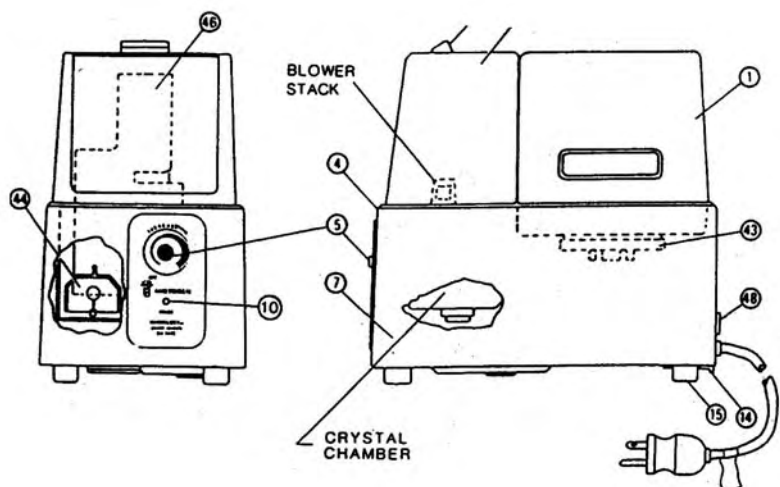
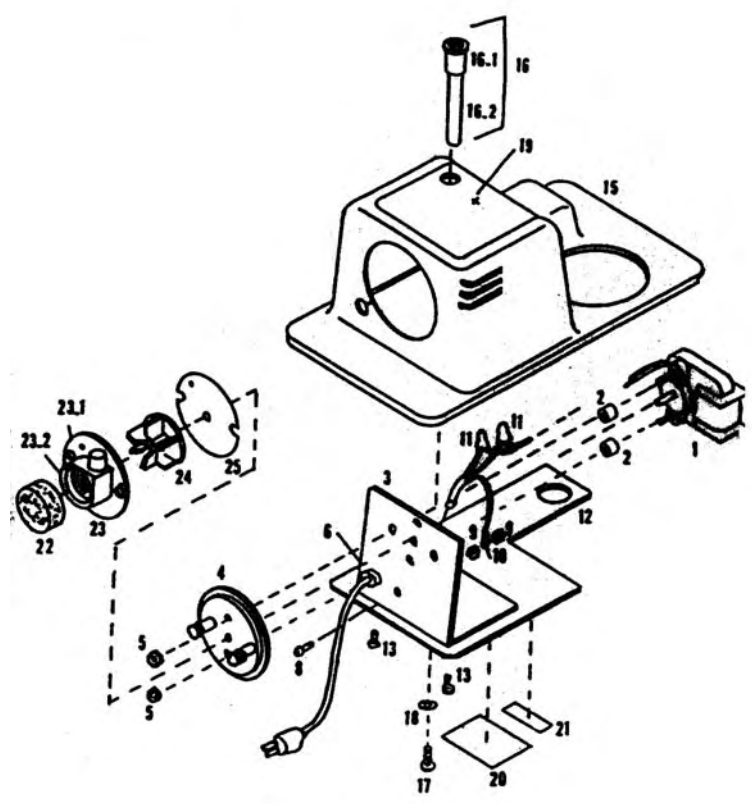


Humidifiers/Mistogen



ITEM	PART NUMBER	DESCRIPTION
1.	#AW-5324	Reservoir Only
2.	#AW-5325	Cover, Humidifier Module
3.	#AW-5326	Nozzle
4.	#AW-5327	Clasp
5.	#AW-5328	Knob (Cream-Colored)
	#AW-4456	Knob (Black)
7.	#AW-5329	Case
10.	#AW-506-002	Lamp
14.	#AW-5342	Medical air Filter
15.	#AW-5343	Foot
43.	#AW-5350	Reservoir Cap Assembly
--	#AW-5591	Gasket for AW-5350
44.	#AW-5351	Float Assembly
46.	#AW-5352	Medical air Duct
48.	#AW-1561	Receptacle
	#AW-5664	Shield Set (Not Shown)

Motor Module, Part #AW-5374



Item	Part Number	Description	Qty.
1.	#AW-4105.05	Motor	
2.	#AW-5439	Spacer, 6 x .312 x .312	(2)
3.	#AW-5167	Motor Bracket	
4.	#AW-4942	Blower Base	
5.	#AW-0957	Keptnut	(2)
6.	#AW-1667	SR Bushing	
7.	#AW-5295	Power Cord Set	
8.	#AW-1333	Mach Scr, 6-32 x .375	
9.	#AW-0957	Keptnut, 6-32	(2)
10.	#AW-1064	Terminal	
11.	#AW-0586	Connector, 22-14	(2)
12.	#AW-5168	Bottom Cover	
13.	#AW-1333	Mach Scr, 6-32 x .375	(2)
14.	#AW-0957	Keptnut, 6-32	(2)
15.	#AW-5169	Cover	
16.	#AW-5166	Post	
16.1	#AW-5247	Post Socket (part of 16)	
16.2	#AW-5248	Post Rod (part of 16)	
17.	#AW-1379	Mach Scr, 1/4-20 x .5	
18.	#AW-5505	Lockwasher, 1/4	
19.	#AW-1293	Label, Signature	
20.	#AW-1297	Label, Data	
21.	#AW-1202.12	Label, Serial	
22.	#AW-4129	Filter	
23.	#AW-5519	Blower Housing Assembly	
23.1	#AW-5516	Blower Housing (Part of 23)	
23.2	#AW-5517	Filter Housing (Part of 23)	
24.	#AW-5518	Impeller	
25.	#AW-4112	Shield	

FIELD RETROFIT KIT

If your unit does not have the accessory receptacle in the back, a kit is available to install one. This is helpful when using the EH147B Air Mist Module. The part number for the kit is #AW-8221.