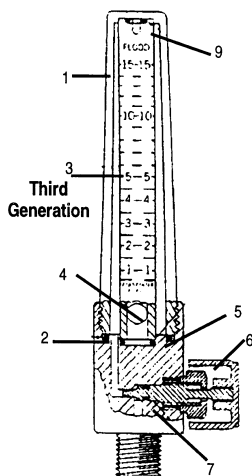
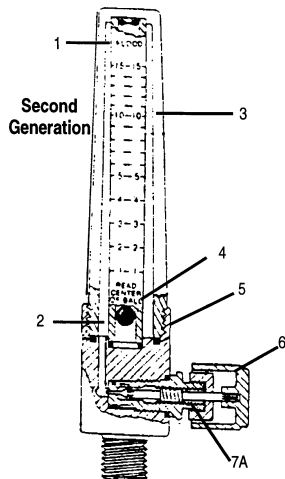
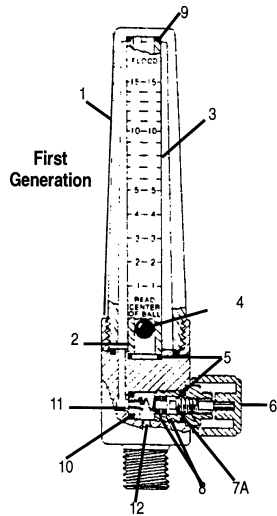
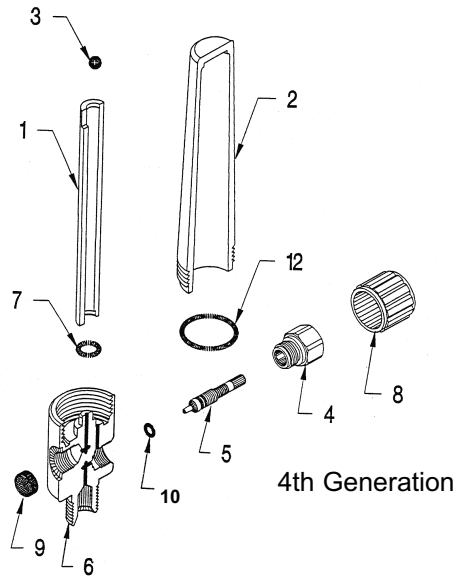


## CHEMETRON

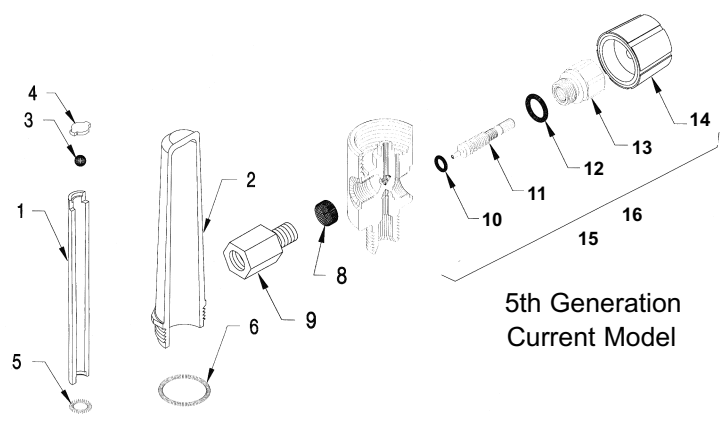


ITEM	DESCRIPTION	PART NUMBER
1.	12 Covers with 12 Cover O-Rings	
2.	12 Cover O-Rings	
3.	6 Metering Tubes with 6 Metering Tube O-Rings	#32-34-90-0050
	1/2 - 15 LPM, Oxygen	#32-34-90-1200
	1/2 - 15 LPM, Medical air	#32-34-90-1201
	0-8 LPM, Oxygen	#32-34-90-0072
	1/4 - 5 LPM, Oxygen	#32-34-90-1202
	1/4 - 4 LPM, Oxygen	#32-34-90-0074
4.	12 Indicator Balls	#32-34-90-0054
5.	12 O-Rings	#32-34-90-0055
6.	12 Control Knobs; Green	#32-34-90-0130
	12 Control Knobs; Yellow	#32-34-90-0131
7.	6 Needle Valve Assembly	#32-34-90-0071
	<b>(3rd Generation)</b>	
7A.	1 Needle Valve Assembly includes O-ring, Stem & Valve Cage (conversion kit for 1st generation)	#32-34-90-1203
8.	24 Needle Valve Assembly	#32-34-90-0058
9.	1 Cushion O-Ring	#32-11-91-0035
10.	Valve Seat O-Rings	#32-34-90-0060
	<b>(1st Generation Only)</b>	
11.	12 Valve Seat O-Rings	#32-34-90-0059
	<b>(1st Generation Only)</b>	
12.	Inlet Extension 1/8 male x 1/8 female	#69-209-23
13.	Screen (filter) and O-ring for inlet (not shown) 12/Pkg	#32-34-90-0061

# Flowmeters/chemetron



4th Generation



5th Generation  
Current Model

Description Packing	Part #		Description	Oxygen 0-15 LPM	Oxygen 0-8 LPM	Medical air 0-15 LPM
1. Mtr. Tube 8 LPM Oxy. 50 PSI	#32-34-92-0011	6/Pkg.	1. Metering Tube with O-Ring (kit of 6)	#32-34-92-0001	#32-34-92-0011	#32-34-92-0021
Mtr. Tube 15 LPM Oxy. 50 PSI	#32-34-92-0001	6/Pkg.	2. Hood with O-Ring (Kit of 6)	#32-34-92-0002	#32-34-92-0002	#32-34-92-0002
Mtr. Tube 15 LPM Medical air 50 PSI	#32-34-92-0021	6/Pkg.	3. Float (Kit of 12)	#AW-T8333	#AW-T623-301	#AW-T8333
			4. Float Stop Pad (Kit of 12)	#32-34-92-0008	#32-34-92-0008	#32-34-92-0008
			5. Metering Tube O-Ring (Kit of 12)	#32-34-92-0009	#32-34-92-0009	#32-34-92-0009
2. Hood	#32-34-92-0002	6/Pkg.	6. Hood O-Ring (Kit of 12)	#32-34-92-0010	#32-34-92-0010	#32-34-92-0010
3. Float (15 LPM)	#AW-T8333	12/Pkg.	8. Filter Screen (Kit of 12)	#32-34-92-0012	#32-34-92-0012	#32-34-92-0009
Float (8 LPM)	#AW-T623-301	12/Pkg.	9. Adapter Fitting (Each)	#32-12-90-2001	#32-12-90-2001	#32-12-90-2001
4. Nut, Valve Stem	#32-34-92-0017	6/Pkg.	10. Valve Stem O-Ring-Black (Kit of 12)	#32-34-92-0014	#32-34-92-0014	#32-34-92-0014
5. Valve Stem	#32-34-92-0015	6/Pkg.				
6. Base	N/A		11. Valve Stem (Kit of 6)	#32-34-92-0015	#32-34-92-0015	#32-34-92-0015
7. O-Ring, Meter Base	#32-34-92-0009	12/Pkg.	12. O-Ring, Nut (Kit of 12)	#32-34-92-0016	#32-34-92-0016	#32-34-92-0016
8. Knob, Green, Oxy.	See Item #15		13. Nut (Kit of 6)	#32-34-92-0017	#32-34-92-0017	
Knob, Yellow, Medical air	in 5th Generation		14. Soft Touch Knob (Kit of 6)	#32-34-92-0018	#32-34-92-0018	#32-34-92-0019
Knob, Black, Medical air			15. Valve Stem Complete with Knob #s 10, 11, 12, 13, 14, 15 (Kit of 6)	#32-34-92-0003	#32-34-92-0003	#32-34-92-0023
9. Screen, Filter	#32-34-92-0012	12/Pkg.	16. Valve Stem (Kit of 6)	#32-34-92-0007	#32-34-92-0007	#32-34-92-0007
10. O-Ring, Valve Stem	#32-34-92-0014	12/Pkg.				
N/A Head and O-Ring Kit	#32-34-05-8100	3/Pkg.				

# Flowmeters/Timeter/Misc.

## FLOWMETER TESTERS

#34-MT100  
For Testing Flows  
1/4 - 2.5 LPM

#34-MT200  
For Testing Flows  
1/2 - 8 LPM

#34-MT300  
For Testing Flows  
2 - 15 LPM



## CHAIN-RING ASSEMBLY

The Chain-Ring Assembly is used to permanently attach Flowmeters to the wall outlet.

#EC-8004  
#EC-8005

6" Chain w/Closed Ring  
6" Chain w/Open Ring



Stainless Steel Flowmeter Security Wire with Nylon coating

#GZ-BE 167

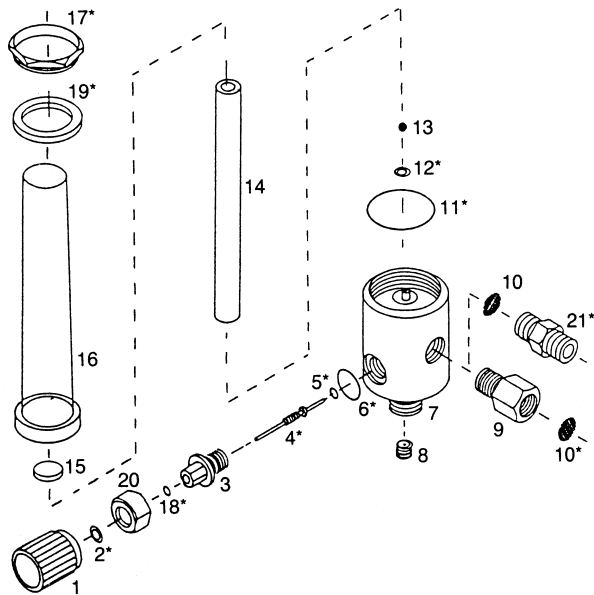
## FLOWMETER CEILING COLUMN ADAPTER

Part No.	Description
#32-34-21-0011	Column Adapter, Oxygen, Ohmeda Quick Connect x 1/8" NPT Male
#32-34-21-0011A	Column Adapter, Medical air, Ohmeda Quick Connect x 1/8" NPT Male
#32-34-21-0012	Column Adapter, Oxygen, Puritan Bennett Quick Connect x 1/8" NPT Male
#32-34-21-0013	Column Adapter, Oxygen, D.I.S.S. Female x 1/8" NPT Male
#32-34-21-0014	Column Adapter, Oxygen, Chemetron Quick Connect (Round Striker) x 1/8" NPT Male
#32-34-21-0015	Column Adapter, Medical air, Chemetron Quick Connect x 1/8" NPT Male



## Timeter Ultra-Flow Flowmeter - Replacement Parts

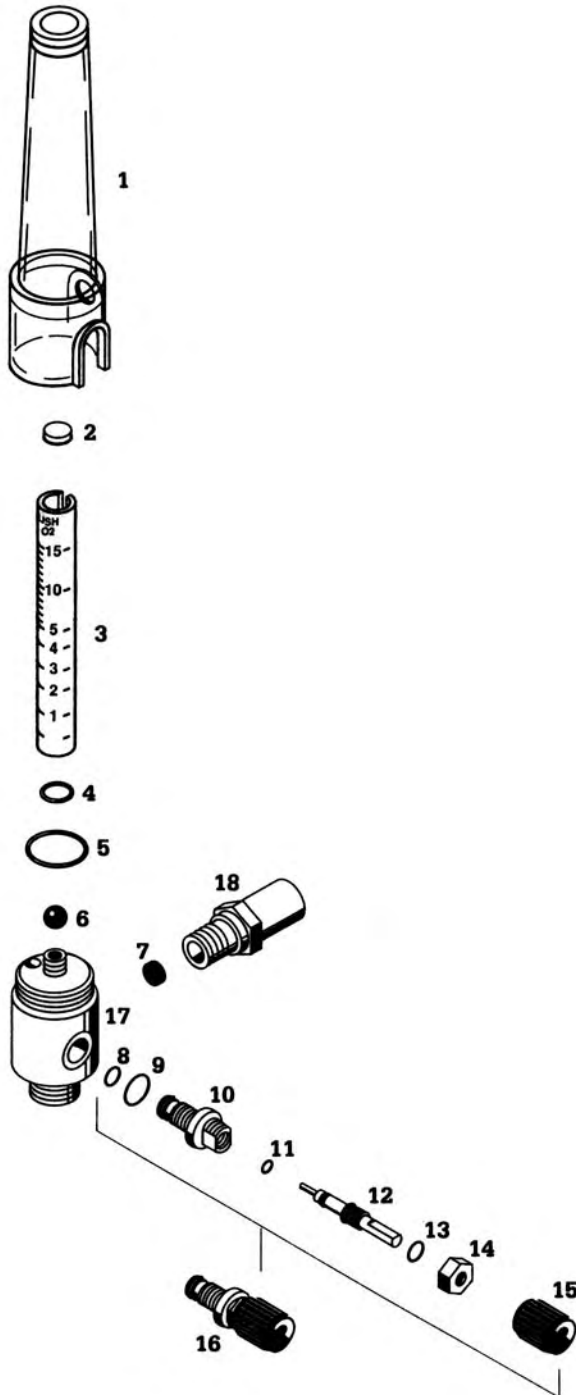
ITEM	PART #	DESCRIPTION
1.	#AW-8324	ULO- 8 & 15 Knob
	#AW-8457	ULO- 8EX & 15EX Knob
	#AW-8395	ULA-15 Knob
2.*	#AW-8323	Washer
3.	#AW-660-312	Valve Retainer
4.*	#AW-10045	Valve Stem
5.*	#AW-8321	Valve Stem O-Ring
6.*	#AW-921-008	Valve O-Ring
7.	N/A	Base
8.	#AW-940-401A	Restrictor (Model #TLO-8 only)
9.	#AW-10064	Adapter
10.*	#AW-607-302	Screen
11.*	#AW-8322	Base-O-Ring
12.*	#AW-921-001	Metering Tube O-Ring
13.	#AW-623-301	Float (8 LPM)
	#AW-8333	Float (15 LPM)
14.	#AW-10979	ULO- 8 & 8EX Metering Tube
15.	#AW-8554	Float Stop
16.	#AW-8330	Hood
17.*	#AW-8327	Locknut
18.*		Packing Washer
19.*		Hood Washer
20.	#AW-10613	Packing Nut
21.**	#AW-843-108	Hex Nipple
22.	#AW-11675	Repair Kit Includes: (not shown) Items 2, 4, 5, 6, 10, 11, 12, 17, 18, 19)



\*Parts available in #AW-11675 kit.

\*\*For use in Regulator/Flowmeter combinations.

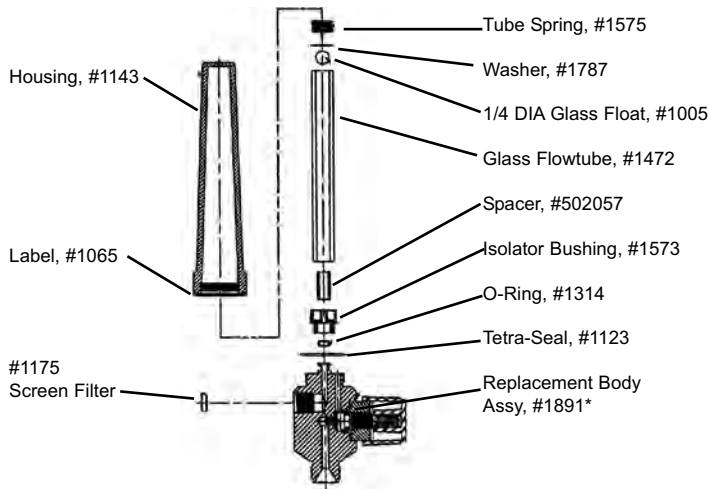
# Flowmeters/Ohmeda-Medaes/Breakdowns



DESCRIPTION	PART NUMBER
1. Shroud	#02-0205-0492-100
2. Disc Pad, 1/2" Dia., 1/4" Thick	#02-0210-6508-300
3. Medical air Flowtube, 50PSI, 0-15 l/min Medical air Flowtube, 60PSI, (414 kPa) 0 - 15 l/min O <sub>2</sub> Flowtube, 50psi, 0 - 15 LPM O <sub>2</sub> Flowtube, 60PSI (414 kPa) 0 - 15 l/min	#02-0212-0174-100 #02-6700-0006-400 #02-0212-0172-100 #02-6700-0005-400
4. O-ring, .125" ID, .250" OD, .062"W	#02-0210-0593-300
5. O-ring, 13/16" ID, 15/16" OD, 1/16" W	#02-0210-0525-300
6. Black Glass Ball, 1/4" Dia.	#02-0409-1714-300
7. Inlet Screen	#02-0214-7108-300
8. O-ring, 5/32", 9/32" OD, 1/16"W	#02-0210-0526-300
9. O-ring, .375" ID, .500" OD, .062" W	#02-0210-0597-300
10. Flow Control Valve Seat	_____*
11. O-ring, 5/64" ID, 13/64" OD, 1/16" W	#02-0210-0527-300
12. Flow Control Valve (Needle Valve)	_____*
13. Teflon O-ring, 3/16" ID, 5/16" OD	#02-0210-0536-300
14. Flow Control Valve Cap End	#02-0205-0488-535
15. Flow Control Knob	#02-0212-1958-300
16. Flow Control Knob Valve and Seat Assembly	#02-6700-0001-700
17. Manifold - Oxygen USA Manifold - Medical air USA (Medical air D.I.S.S. on bottom) USA (O <sub>2</sub> D.I.S.S. on bottom)	#02-6700-0377-850 #02-6700-0378-850 #02-6700-0379-850
18. Extension Adapter Power Outlet Extension (Not Shown)	#02-0204-0492-535 #02-0205-0495-535

\* Sold only as part of Flow Control Knob Valve and Seat Assembly.  
(Item #16.)

## PRECISION MEDICAL OXYGEN FLOWMETERS

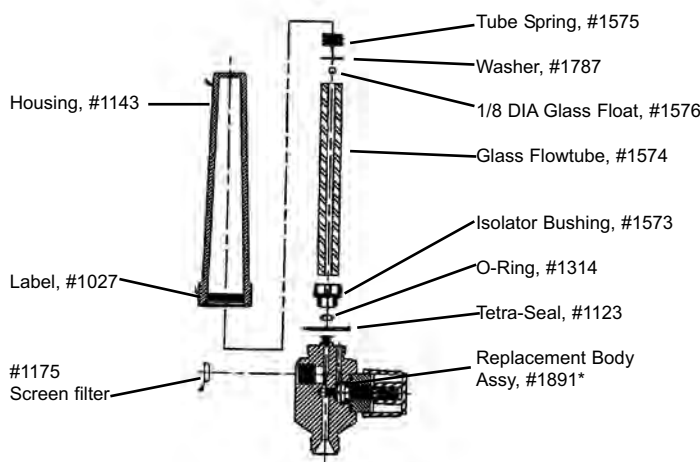


- #EC-1143 Housing
- #EC-1065 Housing Label
- #EC-1576 Spring
- #EC-1787 Washer
- #EC-1005 Float
- #EC-1472 Flow Tube
- #EC-502057 Spacer
- #EC-1573 Bushing
- #EC-1314 O-Ring
- #EC-1123 Tetra-Seal
- #EC-502053 Replacement Body Assy\*
- #EC-1175 Filter
- #EC-1786 "Glass Tube" Label\*\*

**1MFA3001  
SERIES  
0-3LPM**

\*Replacement Body Assy., consists of the following parts: Body, orifice, washer, valve stem o-ring, valve sleeve o-ring, knob, stork label, and "Glass Tube" Label.

\*\* These parts are not shown.

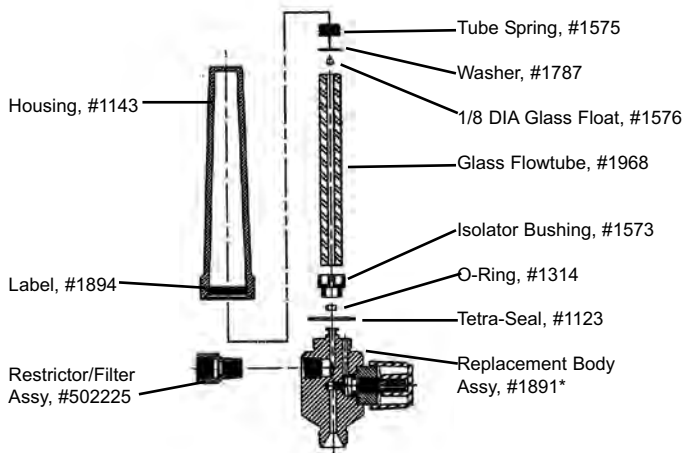


- #EC-1143 Housing
- #EC-1027 Housing Label
- #EC-1575 Spring
- #EC-1787 Washer
- #EC-1576 Float
- #EC-1574 Flow Tube
- #EC-1573 Bushing
- #EC-1314 O-Ring
- #EC-1123 Tetra-Seal
- #EC-1891 Replacement Body Assy\*
- #EC-1175 Filter
- #EC-1026 Stork Label\*\*
- #EC-1786 "Glass Tube" Label\*\*

**4MFA1001  
SERIES  
0-1LPM**

\*Replacement Body Assy., consists of the following parts: Body, orifice, washer, valve stem o-ring, valve sleeve o-ring, knob, stork label, and "Glass Tube" Label.

\*\* These parts are not shown.



- #EC-1143 Housing
- #EC-1894 Housing Label
- #EC-1575 Spring
- #EC-1787 Washer
- #EC-1576 Float
- #EC-1968 Flow Tube
- #EC-1573 Bushing
- #EC-1314 O-Ring
- #EC-1123 Tetra-Seal
- #EC-1891 Replacement Body Assy\*
- #EC-502225 Restrictor/Filter Assy
- #EC-1026 "Stork Label" Label\*\*
- #EC-1786 "Glass Tube" Label\*\*

**6MFA1001  
SERIES  
0-200CC**

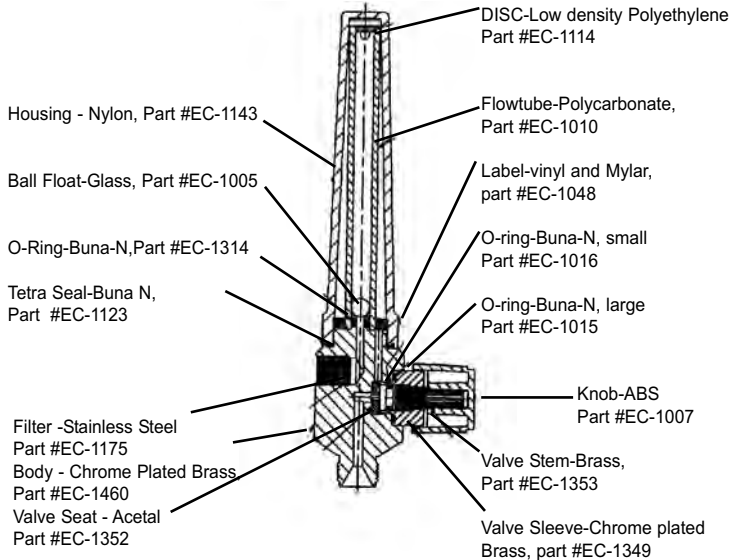
\*Replacement Body Assy., consists of the following parts: Body, orifice, washer, valve stem o-ring, valve sleeve o-ring, knob, stork label, and "Glass Tube" Label.

\*\* These parts are not shown.

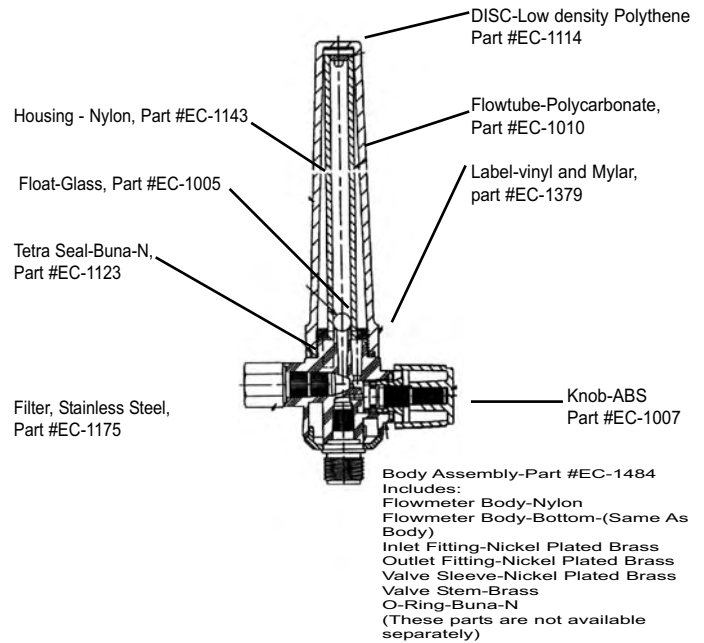
# Flowmeters/Precision Medical

## OXYGEN FLOWMETERS

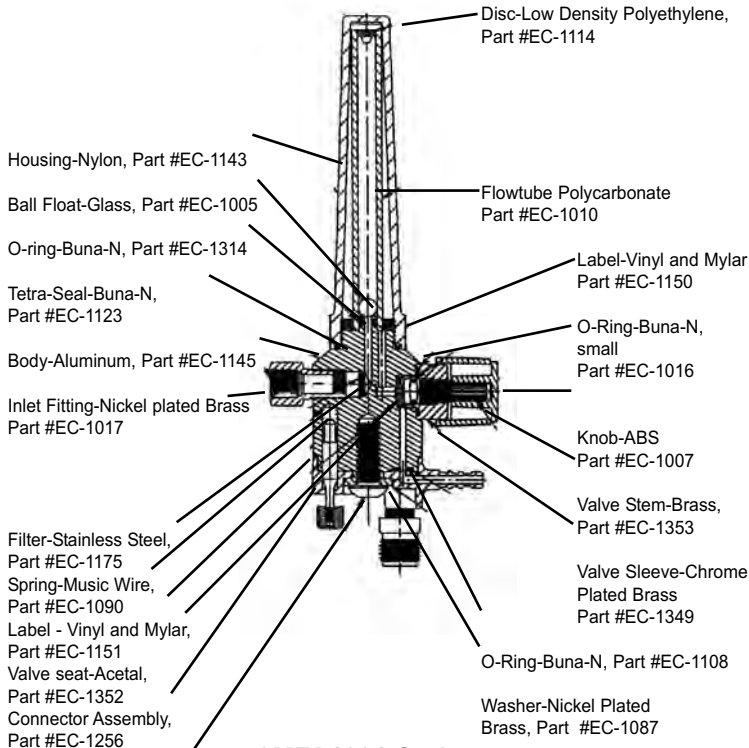
### 1MFA1001 Series Brass Body 0-15LPM



### 2MFA1001 Series "Select" Type 0-15LPM

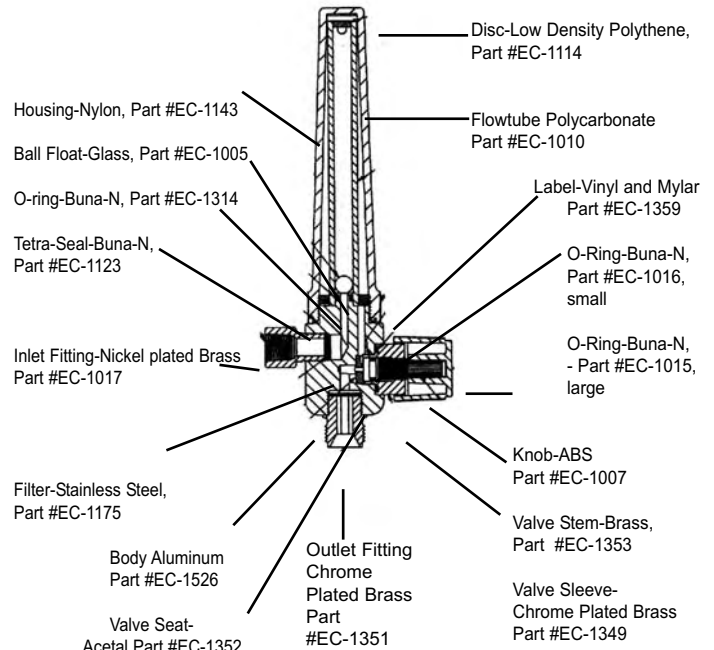


Notes:  
1. \*These Parts are sold only as part of the replacement body.



### 3MFA1001 Series "Select" Type 0-15LPM

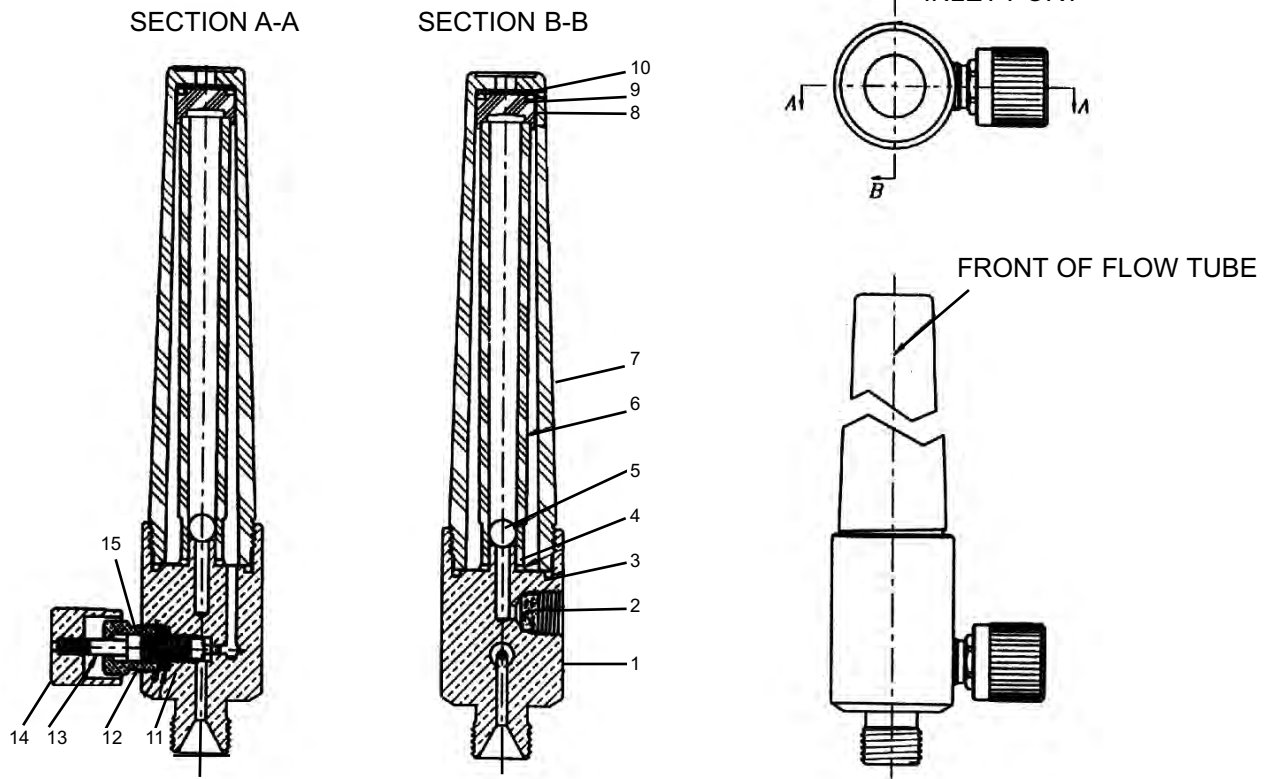
Screw-Nickel Plated Steel, Part #EC-1094



### 5MFA1001 Series Aluminum Body 0-15LPM

# Flowmeters/Western Medica

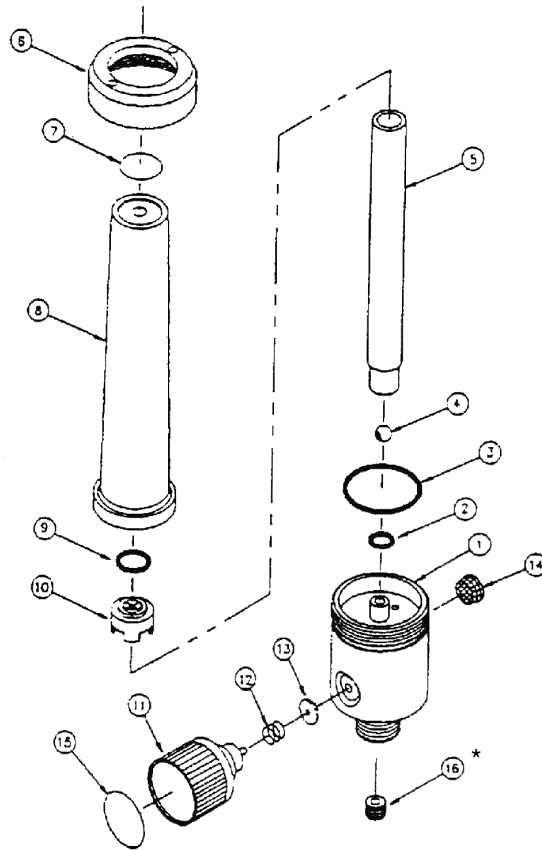
## FME SERIES



Item	Part No.	Description	Quantity
1.	#34-2004-5	Flowmeter Body	1
2.	#34-2034	Screen	1
3.	#34-2033-9	O-Ring	1
4.	#34-2033	O-Ring	1
5.	#34-2002	Ball	1
6.	#34-2030-6G	Flow Tube	1
7.	#34-2010-1	Flow Tube Cover	1
8.	#34-2013	Bumper Disc	1
9.	#34-RO-012B	O-Ring	1
10.	#34-2014	Burst Disc	1
11.	#34-2044-3	Washer	1
12.	#34-2006-6	Bushing	1
13.	#34-2039-3	Stem	1
14.	#34-2021-6	Knob	1
15.	#34-RO-007E	O-Ring	1

# Flowmeters/Western Medica/FM Series

## FM SERIES



<b>DESCRIPTION</b>	<b>PART NUMBER</b>
1. Flowmeter Body	#34-20044
2. Flow Tube O-Ring	#34-2033
3. Tube Cover O-Ring	#34-20333
4. Float Ball	#34-2002
5. Flow Tube Oxygen 0-7 LPM	#34-20T07G
Flow Tube Oxygen 0-15 LPM	#34-20T15G
Flow Tube Medical Air 0-15 LPM	#34-20T15A
6. Tube Cover Nut	#34-20243
7. Tube Decal	#34-20306
8. Tube Cover	#34-2010
9. Bumper Disc O-Ring	#34-20334
10. Bumper Disc	#34-2013
11. Needle Valve Sub-Assembly	#34-20WNV
12. Spring	Not Available
13. Seat Sub-Assembly	#34-2034
14. Inlet Screen	#34-20302
15. Knob Decal "Western"	#34-2123
16.* Orifice Insert Screw	

\*For 0-7 LPM Oxygen Only.