

Electric/Gas Hose Reels

Single

Item Number	Description
#32-82310010	Oxygen
#32-82310020	Vacuum
#32-82310030	Nitrous oxide
#32-82310040	Medical air
#32-82310100	High pressure nitrogen

Double

Item Number	Description
#32-82320020	Oxygen-vacuum
#32-82320030	Oxygen-nitrous oxide
#32-82320040	Oxygen-Medical air
#32-82320050	Vacuum-vacuum
#32-82320080	Medical air-vacuum
#32-82320110	Water-Medical air
#32-82320120	Vacuum-water

Triple

Item Number	Description
#32-82330050	Oxygen-vacuum-Medical air
#32-82330060	Oxygen-nitrous oxide-vacuum
#32-82330070	Oxygen-nitrous oxide-Medical air
#32-82330090	Oxygen-Medical air-vacuum
#32-82330110	Vacuum-vacuum-oxygen
#32-82331150	High Pressure nitrogen-vacuum-vacuum
#32-82331170	Medical air-vacuum-high pressure nitrogen

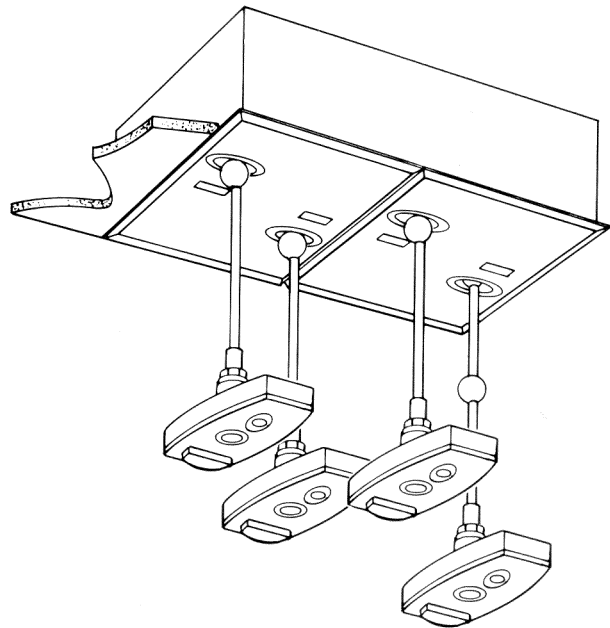
Quadruple

Item Number	Description
#32-82340010	Oxygen-oxygen-vacuum-vacuum
#32-82340020	Oxygen-oxygen-nitrous oxide-vacuum
#32-82340030	Oxygen-oxygen-nitrous oxide-Medical air
#32-82340050	Oxygen-vacuum-nitrous oxide-Medical air
#32-82340070	Oxygen-vacuum-Medical air-nitrous oxide
#32-82340080	Oxygen-nitrous oxide-vacuum-vacuum
#32-82340090	Oxygen-nitrous oxide-vacuum-Medical air
#32-82340100	Oxygen-nitrous oxide-Medical air-vacuum
#32-82340120	Oxygen-Medical air-vacuum-vacuum
#32-82340150	Vacuum-oxygen-nitrous oxide-vacuum
#32-82340160	Vacuum-vacuum-vacuum-vacuum
#32-82341190	High pressure nitrogen-oxygen-vacuum-nitrous oxide
#32-82341200	Oxygen-vacuum-high pressure nitrogen-nitrous oxide
#32-82341230	Oxygen-nitrous oxide-vacuum-high pressure nitrogen

ELECTRIC REELS

(Terminating with Hubbel 23002-G Connector)

Item Number	Description
#32-82350010	One electric reel
#32-82350030	Two electric reels
#32-82350040	Three electric reels
#32-82350050	Four electric reels
#32-82350060	High pressure nitrogen-electric



HOSE REELS

Hose Reels are available for both gas and electrical services, with 15 and 20 ft. hub capacities respectively. However, electrical reel and oxidizing gases (i.e., oxygen or nitrous oxide) are not available in combination-order separate assemblies. Electric reels are not available for anesthetizing locations where NFPA 99 requires explosion proof fixtures below 5'0" from the floor.

Electric reels shall not be used with vacuum if vacuum is used for waste anesthetic gases. Up to 4 services in one box.

(NOTE: Terminal fittings are Chemetron quick connect couplers. Other fittings available by special order. Prices subject to change based upon fittings requested).