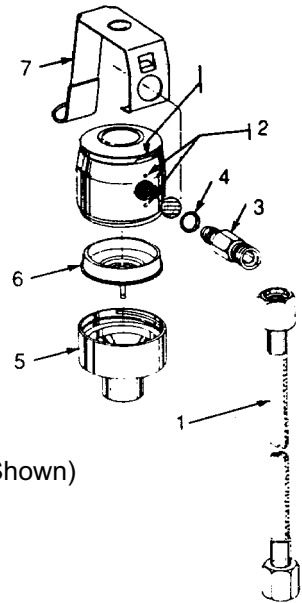


Demand Valves

LSP 063 Demand/Resuscitator Valve Toxic Atmosphere Resuscitator - 382 Neo-Primer Demand/Resuscitator Valve

	PART NUMBER	DESCRIPTION
1.	#HU-535026	6' O ₂ Hose With D.I.S.S. Fittings
2.	#HU-520006	Filter
3.	#HU-525100	Fitting
4.	#HU-560645-011	O-Ring
5.	#HU-002768-030	Outlet Adapter for use with Auto Vent
6.	#HU-585045-030	Exhalation Valve Assembly for use with AutoVent
7.	#HU-020077	Extension Lever
	#HU-535066	Neo-Primer Hose Assembly for #HU-063-180, (Not Shown)



Elder Demand/Resuscitator Valve

	PART NUMBER	DESCRIPTION
1.	#HU-034-110	Downstream Housing
2.	#HU-034-111	Exhalation Valve
3.	#HU-034-112	Exhalation Valve Assembly Kit
4.	#HU-034-525	6' O ₂ Hose for Elder Demand Valve

