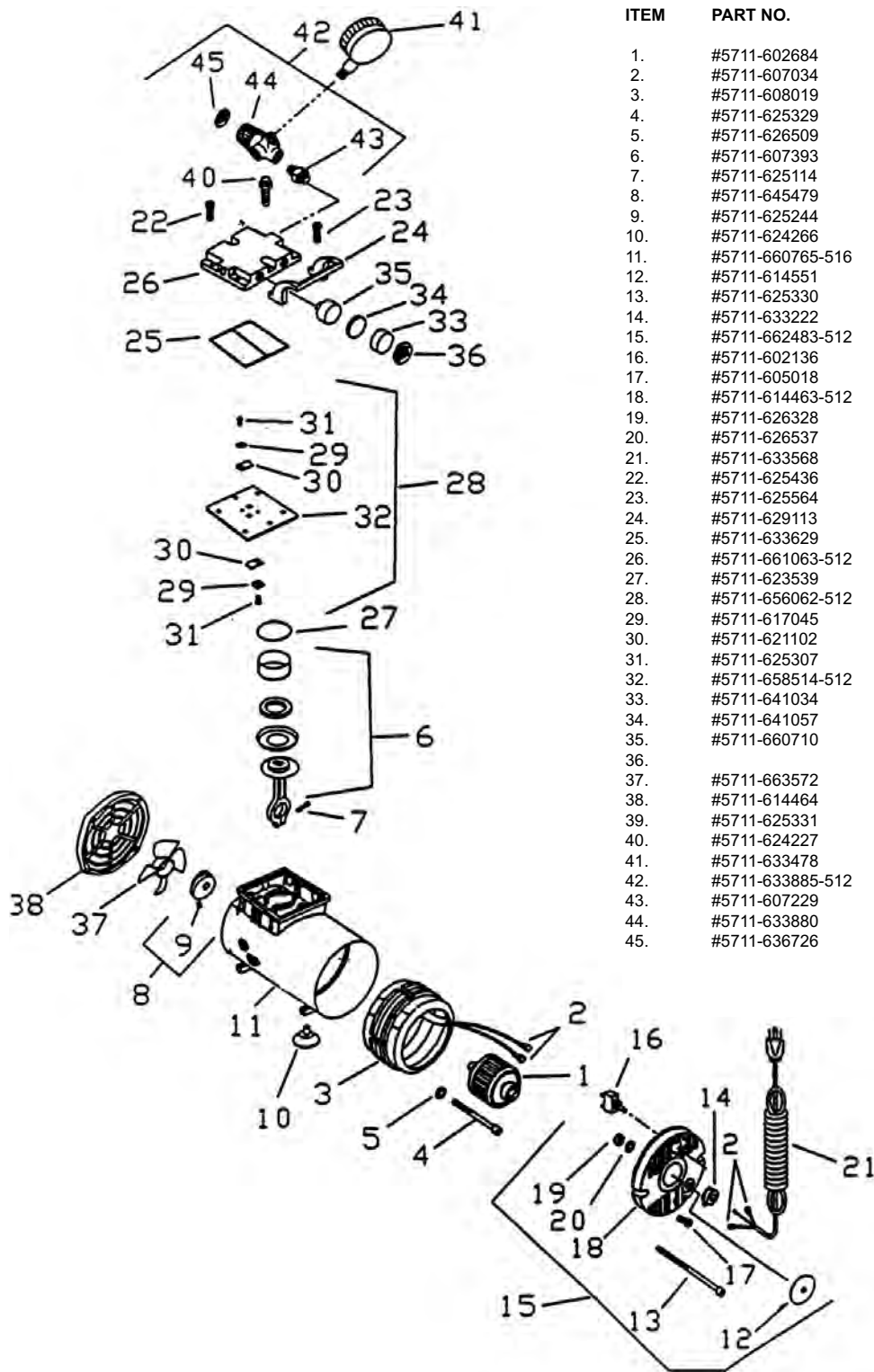
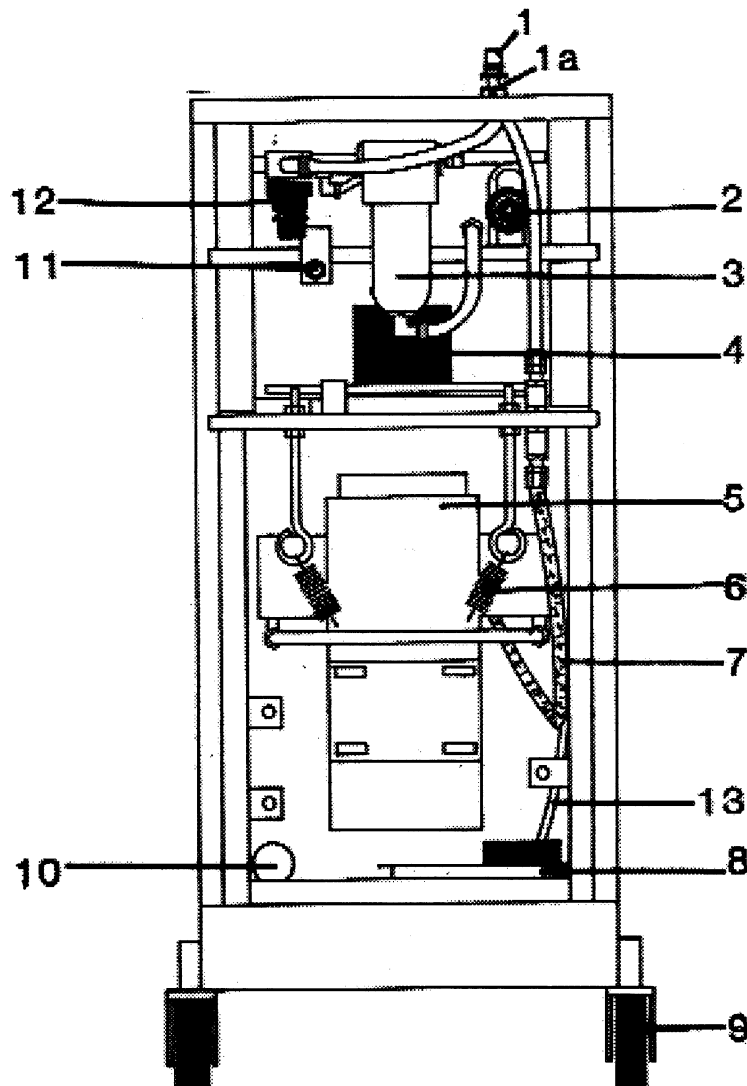


Compressors/Schuco/Model 120



| ITEM | PART NO. | DESCRIPTION | QTY. |
|------|------------------|----------------------------------|------|
| 1. | #5711-602684 | Shaft Rotor & Bearing Assembly | 1 |
| 2. | #5711-607034 | Insulated Connector | 4 |
| 3. | #5711-608019 | Stator 115V 60HZ | 1 |
| 4. | #5711-625329 | Screw - Stator | 2 |
| 5. | #5711-626509 | Lockwasher - Stator | 2 |
| 6. | #5711-607393 | Connecting Rod Assembly | 1 |
| 7. | #5711-625114 | Screw - Connecting Rod | 1 |
| 8. | #5711-645479 | Eccentric & Bearing Assembly | 1 |
| 9. | #5711-625244 | Set Screw - Eccentric | 1 |
| 10. | #5711-624266 | Suction Cup | 4 |
| 11. | #5711-660765-516 | Housing | 1 |
| 12. | #5711-614551 | Bearing Cover | 1 |
| 13. | #5711-625330 | Screw - Motor End Cap | 2 |
| 14. | #5711-633222 | Strain Relief | 1 |
| 15. | #5711-662483-512 | Motor End Cap Assembly | 1 |
| 16. | #5711-602136 | Toggle Switch | 1 |
| 17. | #5711-605018 | Screw - Ground | 1 |
| 18. | #5711-614463-512 | Motor End Cap | 1 |
| 19. | #5711-626328 | Nut-Ground | 2 |
| 20. | #5711-626537 | Lockwasher - Ground | 2 |
| 21. | #5711-633568 | Cord Assembly | 1 |
| 22. | #5711-617045 | Screw- Head | 4 |
| 23. | #5711-625564 | Screw - Handle | 2 |
| 24. | #5711-629113 | Handle | 1 |
| 25. | #5711-633629 | O-Ring Gasket - Head | 1 |
| 26. | #5711-661063-512 | Head | 1 |
| 27. | #5711-623539 | O-Ring - Valve Plate | 1 |
| 28. | #5711-656062-512 | Valve Plate Assembly | 1 |
| 29. | #5711-617045 | Valve Keeper Strip | 2 |
| 30. | #5711-621102 | Valve Flapper - Intake & Exhaust | 2 |
| 31. | #5711-625307 | Screw - Valve Flapper | 2 |
| 32. | #5711-658514-512 | Valve Plate | 1 |
| 33. | #5711-641034 | Filter - Foam | 1 |
| 34. | #5711-641057 | Filter - Felt | 1 |
| 35. | #5711-660710 | Filter Body | 1 |
| 36. | | Filter Body Cap | 1 |
| 37. | #5711-663572 | Fan | 1 |
| 38. | #5711-614464 | Front Cover | 1 |
| 39. | #5711-625331 | Screw - Front Cover | 4 |
| 40. | #5711-624227 | Hose Fitting | 1 |
| 41. | #5711-633478 | Pressure Gauge | 1 |
| 42. | #5711-633885-512 | Control Valve Assembly | 1 |
| 43. | #5711-607229 | Hose Connector | 1 |
| 44. | #5711-633880 | Control Body | 1 |
| 45. | #5711-636726 | Decal - Pressure | 1 |

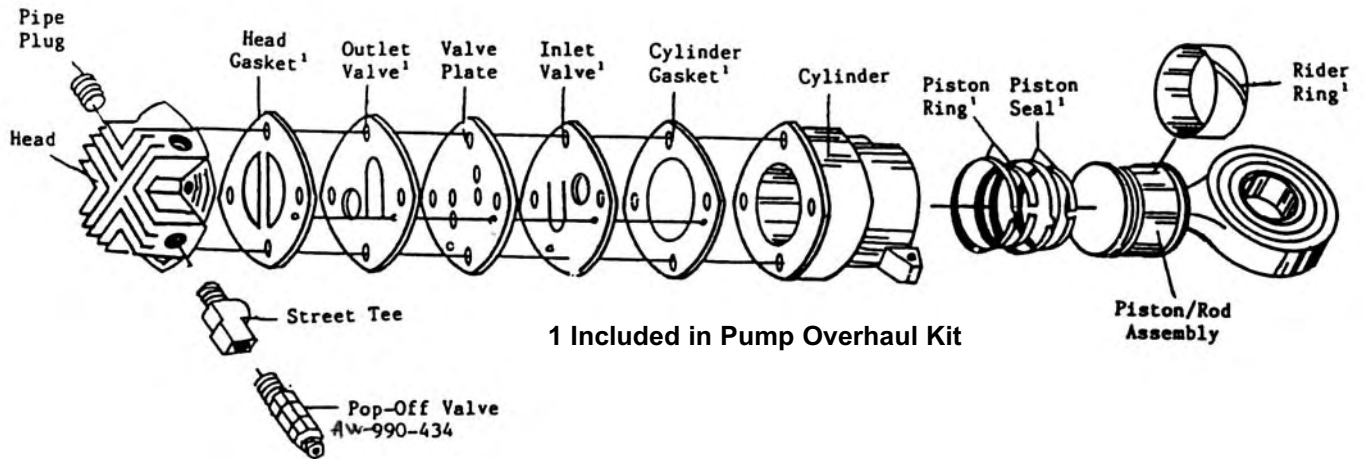
Compressors/Timeter/Aridyne 3600



| ITEM NO. | PART NO. | DESCRIPTION | ITEM NO. | PART NO. | DESCRIPTION |
|----------|-------------|---|----------|-------------|-------------------------------|
| 1. | #69-202-43 | Outlet, check D.I.S.S. medical air x 1/8" NPT | 5. | #AW-029-119 | Air/pump w/suspension |
| 1a. | #69-21201 | Bulkhead w/nut and lock washer | 6. | #AW-611-307 | Suspension Spring |
| 2. | #AW-903-401 | Relief Valve | 7. | #AW-918-401 | High Pressure Hose w/fittings |
| 2a. | #AW-923-401 | Relief valve diaphragm, FV06 | 8. | #AW-11217 | Water tray w/foam block |
| 3. | #AW-991-420 | Long water jar w/exit bushing and nut | 9. | #AW-12154 | Caster, back |
| 3a. | #AW-924-401 | Water trap jar filter element | | #AW-12300 | Caster, locking front |
| 3b. | #AW-925-401 | Water jar - O-Ring | 10. | #AW-12152 | Air pump inlet filter Assy |
| 4. | #AW-11225 | Fan assembly w/hardware | 10a. | #AW-901-405 | Pump inlet filter element |
| | | | 11. | #AW-327-204 | Circuit Breaker |
| | | | 12. | #AW-903-402 | Regulator |
| | | | 12a. | #AW-991-407 | Regulator Bonnet |
| | | | 12b. | #AW-923-402 | GR06 Regulator Diaphragm |

Compressors/Timeter/Aridyne 3600

Exploded View of Pump



1 Included in Pump Overhaul Kit

PARTS NOT ILLUSTRATED

| DESCRIPTION | PART NUMBER |
|--|-------------|
| Performance Gauge | #AW-8508 |
| Elapsed Time Indicator | #AW-8134* |
| Power Switch | #AW-510-504 |
| Cord Hook | #AW-082-104 |
| Cabinet Handle & Hardware | #AW-081-102 |
| Cabinet Inlet Filter | #AW-8623 |
| Needle Valve | #AW-973-401 |
| Hospital Grade Plug | #AW-Z148 |
| Plastic Tubing 1/4" O.D. | #AW-911-004 |
| Nylon Tubing 3/8" O.D. | #AW-911-007 |
| Sealing Sleeve 3/8" O.D. | #AW-974-401 |
| Sealing Sleeve 1/4" O.D. | #AW-974-402 |
| Pump Overhaul Kit 1 | #AW-12002 |
| Preventive Maintenance Kit ¹ (see below) | #AW-10225 |
| Medical air Deflector Chute | #AW-648-301 |

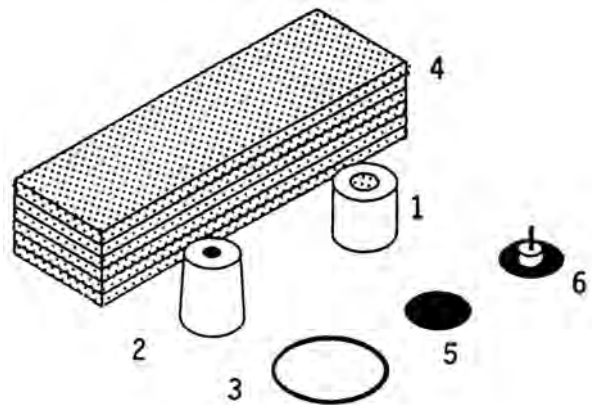
PUMP PARTS

| DESCRIPTION | PART NUMBER |
|-----------------------|-------------|
| Piston only | #AW-990-408 |
| Cylinder Head | #AW-990-410 |
| Cylinder | #AW-990-412 |
| Eccentric | #AW-990-463 |
| Wrist Pin | #AW-990-415 |
| Flat Key | #AW-990-467 |
| Valve Plate | #AW-990-416 |
| Fan Blade | #AW-990-418 |
| Fan Shroud | #AW-990-421 |
| Manifold | #AW-990-423 |
| Piston & Rod Assembly | #AW-990-430 |
| Wrist Pin Bearings | #AW-990-462 |

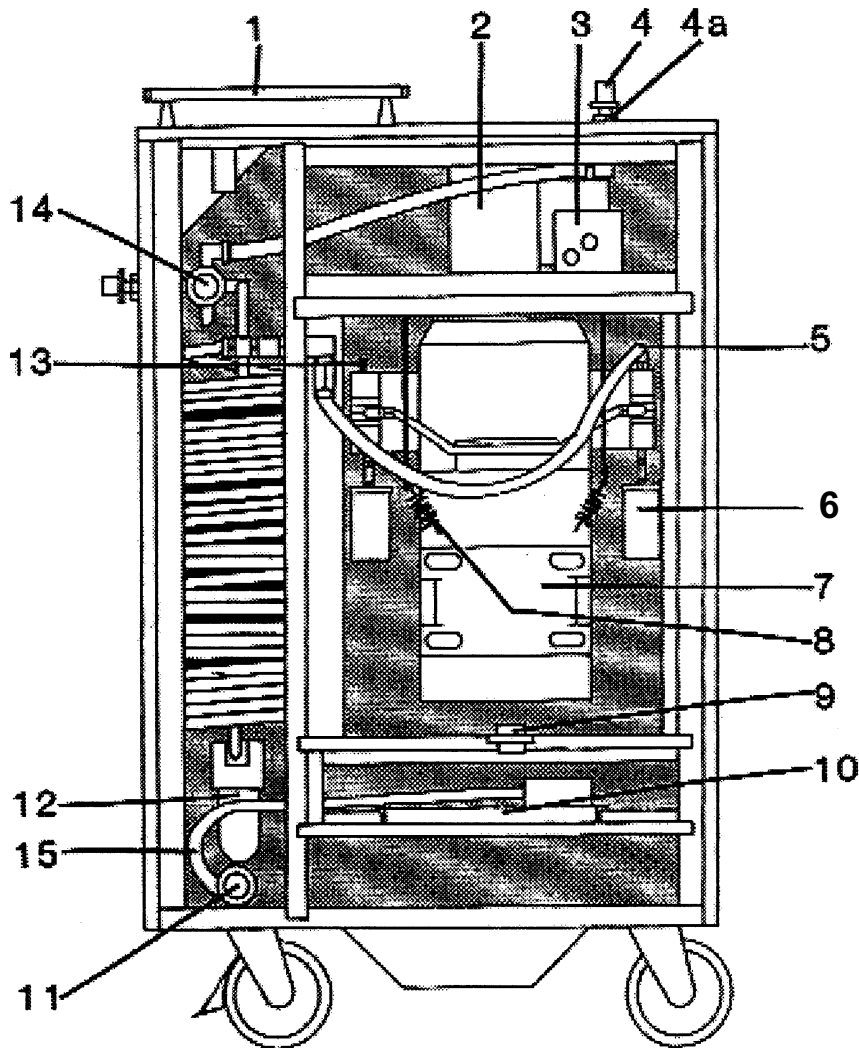
* If ETI mounting holes are above and below the display window, order Adapter Plate #AW-11181 in addition to timer.

YEARLY PREVENTIVE MAINTENANCE KIT #AW-10225

| ITEM | QTY. | DESCRIPTION | PART NUMBER |
|------|------|---------------------------|-------------|
| 1. | 1 | Pump Inlet Filter Element | #AW-901-405 |
| 2. | 1 | Water Jar Filter | #AW-924-401 |
| 3. | 1 | Water Jar O-ring | #AW-925-401 |
| 4. | 6 | Inlet Filters | #AW-8623 |
| 5. | 1 | Relief Valve Diaphragm | #AW-923-401 |
| 6. | 1 | Regulator Diaphragm | #AW-923-402 |



Compressors/Timeter/Aridyne 2000

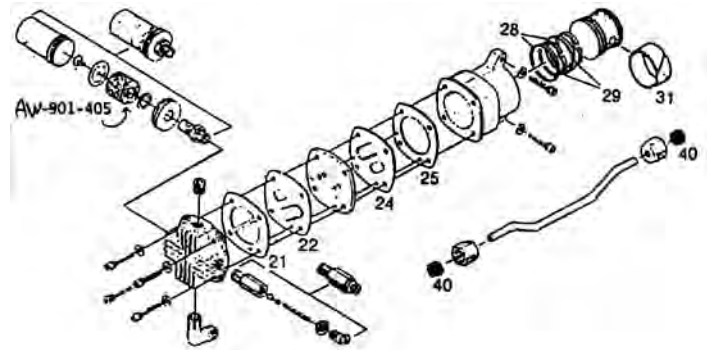


| ITEM | PART NUMBER | DESCRIPTION | ITEM | PART NUMBER | DESCRIPTION |
|------|-------------|---|------|-------------|--------------------------|
| 1. | #AW-626-301 | Handle and hardware | 11. | #AW-020-110 | Relief Valve |
| 2. | #AW-919-401 | Blower | 11a. | #AW-923-401 | Relief Valve Diaphragm |
| 3. | #AW-326-201 | Battery | 12. | #AW-901-407 | Water jar complete |
| 4. | #69-20243 | Medical air - D.I.S.S. outlet w/check valve | 12a. | #AW-991-420 | Water jar filter element |
| 4a. | #69-21201 | Bulkhead w/nut & lock washer | 12b. | #AW-924-401 | Water jar filter element |
| 5. | #AW-918-401 | High Pressure hose w/fittings | 12c. | #AW-925-401 | Water jar O-ring |
| 6. | #AW-990-455 | Pump inlet filter element | 13. | #AW-990-43Z | Pop-off Valve |
| 6a. | #AW-901-405 | Pump inlet filter element | 14. | #AW-903-402 | Regulator |
| 7. | #AW-028-118 | Air pump w/suspension | 14a. | #AW-991-407 | Regulator Bonnet |
| 8. | #AW-611-309 | Suspension springs | 14b. | #AW-923-402 | Regulator Diaphragm |
| 9. | #AW-586-501 | Thermostat | 15. | #AW-911-003 | Regulator Diaphragm |
| 10. | #AW-11254 | Water Tray | | | |

Compressors/Timeter/Aridyne 2000

PUMP PARTS

| | |
|-------------|---------------------------------------|
| #AW-990-402 | Flat key |
| #AW-990-407 | Piston only |
| #AW-990-409 | Cylinder head |
| #AW-990-411 | Cylinder |
| #AW-990-414 | Eccentric |
| #AW-990-425 | Wrist pan |
| #AW-990-426 | Valve plate |
| #AW-990-427 | Fan blade |
| #AW-990-428 | Fan shroud |
| #AW-990-429 | Manifold |
| #AW-990-431 | Piston and rod assembly |
| #AW-990-461 | Wrist pin bearing (2 req'd/piston) |



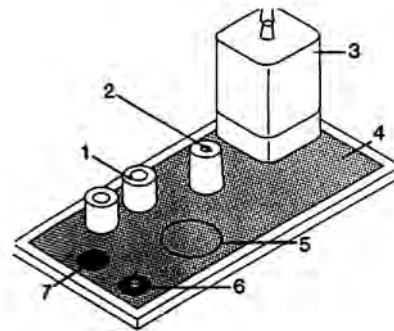
MEDICAL AIR PUMP OVERHAUL KIT PARTS:

Kit contains enough of the following parts to rebuild 1 two-piston pump. Starred* items may not be purchased separately - only available in the Kit #AW-961-401

| | |
|-------------|--------------------|
| #AW-901-405 | Foam inlet filters |
| 21* | Head gasket |
| 22* | Outlet valve |
| 24* | Inlet valve |
| 25* | Cylinder gasket |
| 28* | Piston ring |
| 29* | Piston seal |
| 31* | Rider seal |
| 40* | Manifold sleeve |

Annual Preventive Maintenance Kit #AW-Z104

| ITEM | PART NUMBER | DESCRIPTION | QTY. |
|------|-------------|---------------------------|------|
| 1. | #AW-901-405 | Pump Inlet Filter Element | 2 |
| 3. | #AW-326-201 | 6 Volt Battery | 1 |
| 4. | #AW-901-404 | Inlet Grille Filter | 1 |
| 2. | #AW-924-401 | Water Jar Filter | 1 |
| 5. | #AW-925-401 | Water Jar O-ring | 1 |
| 7. | #AW-923-401 | Relief Valve Diaphragm | 1 |
| 6. | #AW-923-402 | Regulator Diaphragm | 1 |



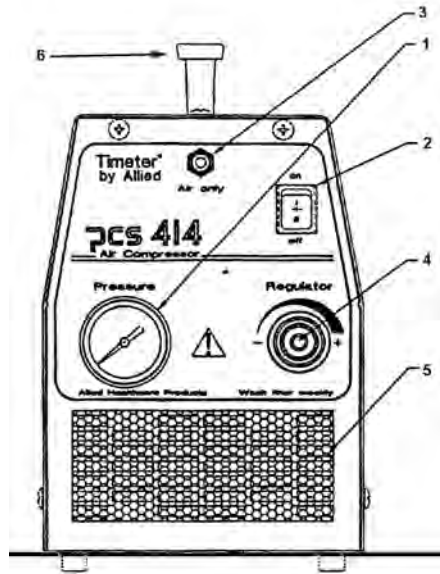
ITEMS NOT ILLUSTRATED

| PART # | DESCRIPTION | PART# | DESCRIPTION |
|-------------|--------------------------|--------------|-----------------------------|
| #AW-911-007 | Nylon tubing 3/8" O.D. | #AW-344-201 | Light Bulb |
| #AW-911-004 | Plastic tubing 1/4" O.D. | #AW-345-201 | Light Bulb |
| #AW-974-402 | Sealing sleeve 1/4" O.D. | #AW-342-204* | Elapsed time indicator |
| #AW-580-501 | Pressure Switch | #AW-325-201 | Overheat/low pressure alarm |
| #AW-613-005 | Shipping carton | #AW-021-121 | Performance gauge |
| #AW-026-116 | Splash shield assembly | #AW-510-502 | Power switch |
| #AW-648-301 | Air shield assembly | #AW-327-201 | Overload Protector |
| #AW-648-301 | Air deflector chute | #AW-973-401 | Needle valve |
| #AW-648-301 | Air deflector chute | #AW-625-301A | Cord hook |
| #AW-570-001 | Hospital plug | #AW-974-401 | Sealing sleeve 3/8" O.D. |

*If the ETI mounting holes are above and below the display window, order #AW-11181 adapter plate, in conjunction with ETI.

Compressors/Timeter/PCS-414

PCS-414

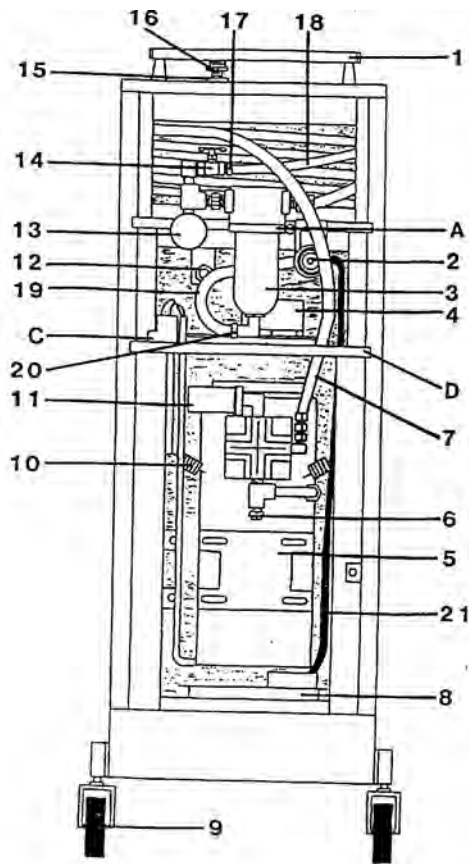


REPLACEMENT PARTS

| ITEM | PART NUMBER | DESCRIPTION |
|------|----------------|---|
| | #AW-T15531 | 115 Volt, 60Hz Compressor Assembly |
| | #AW-TZ70 | Cooling Coil and Condensation Trap |
| 6 | #18-01-90-3669 | Handle |
| | #AW-TZ130 | Pump Service Kit |
| 1 | #AW-T15729 | Pressure Gauge |
| 2 | #AW-T15730 | Power Switch |
| | #AW-T14626 | 115 Volt Replacement Fan Assembly |
| | #AW-15731 | Rubber Foot for Cabinet |
| | #AW-T611-308 | Suspension Spring |
| 5 | #AW-T14870 | Cabinet Inlet Filter |
| 4 | #AW-T15732 | Pressure Regulator |
| 4* | #AW-T16314 | Repair Kit, Pressure Regulator (Norgren #V06- 121-NNKA) |
| 4* | #AW-T16313 | Repair Kit, Pressure Regulator (Monnier #91-196) |
| | #AW-T16315 | Replacement Internal Felt Filter, 4/Pkg |
| | #AW-T911-004 | Plastic Tubing, 1/4" O.D. |
| | #AW-T990-434 | Pop-off Valve |
| | #AW-T16484 | Fuse, 8.0 amp, 250 VAC, Package of 10 |

* Verify type of regulator to ensure correct Repair Kit.

Compressors/Timeter/Aridyne 3500



| ITEM | PART NUMBER | DESCRIPTION |
|------|-------------|--|
| 1. | #AW-081-102 | Handle w/hardware |
| 2. | #AW-903-401 | Relief valve |
| 3. | #AW-13532 | Water jar w/exit bushing & nut |
| 4. | #AW-082-110 | Fan assembly w/hardware |
| 5. | #AW-029-119 | Pump w/suspension |
| 6. | #AW-990-434 | Pop-off valve |
| 7. | #AW-918-401 | High pressure hose w/fittings |
| 8. | #AW-11256 | Water tray w/foam block |
| 9. | #AW-12154 | Caster back |
| | #AW-12300 | Caster, locking front |
| 10. | #AW-611-307 | Suspension spring |
| 11. | #AW-12152 | Complete pump inlet filter |
| 12. | #AW-327-204 | Circuit breaker |
| 13. | #AW-903-402 | Regulator |
| 14. | #AW-973-401 | Needle valve |
| 15. | #AW-080-109 | Bulkhead w/nut & lock washer |
| 16. | #69-202-39 | Outlet, check D.I.S.S. medical air x 1/8" NPT Male |
| 17. | #AW-974-401 | Sealing sleeve 3/8" O.D. |
| 18. | #AW-911-007 | Nylon tubing 3/8" O.D. |
| 19. | #AW-911-004 | Plastic tubing 1/4" O.D. |
| 20. | #AW-974-402 | Sealing sleeve 1/4" O.D. |
| 21. | #AW-911-003 | Clear drain tube |

OTHER PARTS (Not illustrated)

| PART # | DESCRIPTION |
|-------------|---|
| #AW-Z103 | Preventive Maintenance Kit Includes: #AW-901-405 Pump Inlet Filter elements (2) #AW-924-401 Water Jar Filter #AW-13530 Water Jar O-ring #AW-901-409 Cabinet Inlet Filters (6) #AW-923-401 Relief Valve Diaphragm #AW-923-402 Regulator Diaphragm |
| #AW-12002 | Pump Overhaul Kit |
| #AW-613-006 | Shipping Carton |
| #AW-648-301 | Medical air Deflector Chute |

PART# DESCRIPTION

CONTROL PANEL PARTS

| | |
|-------------|------------------------|
| #AW-8134 | Elapsed Time indicator |
| #AW-8508 | Performance Gauge |
| #AW-510-504 | Power Switch |

CABINET PARTS

| | |
|-------------|----------------------|
| #AW-901-409 | Cabinet Inlet Filter |
| #AW-025-115 | Splash Shield |

INLET FILTER PARTS

| | |
|-------------|---------------------------|
| #AW-901-405 | Pump inlet filter element |
|-------------|---------------------------|

WATER TRAP PARTS

| | |
|-------------|------------------|
| #AW-924-401 | Water Jar Filter |
| #AW-13530 | Water Jar O-ring |

REGULATOR PARTS

| | |
|-------------|----------------------------|
| #AW-991-407 | Regulator Bonnet |
| #AW-923-401 | VO6 Relief Valve Diaphragm |
| #AW-923-402 | RO6 Regulator Diaphragm |

COMPRESSOR PUMP PARTS

| | |
|-------------|------------------------------|
| #AW-990-408 | AD35-AF506 Piston only |
| #AW-990-410 | AD35-AF508 Cylinder head |
| #AW-990-412 | AD35-AF510 Cylinder |
| #AW-990-470 | AD35-515E Eccentric |
| #AW-990-415 | AD35-AF523 Wrist pin |
| #AW-990-467 | AD35-AF524 Flat key |
| #AW-990-416 | AD35-AF529 Valve plate |
| #AW-990-418 | AD35-AF533 Fan blade |
| #AW-990-421 | AD35-AF535 Fan shroud |
| #AW-990-423 | AD35-AF536B Manifold |
| #AW-990-430 | AD35-AF560 Piston & rod assy |
| #AW-990-462 | SCE69FK Wrist pin bearings |

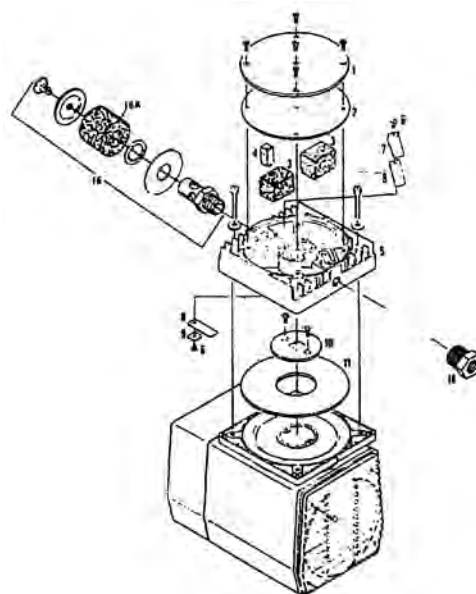
Compressors/Timeter/Model PCS-5

MODEL PCS-5

PUMP SERVICE KIT (FIG. 1)

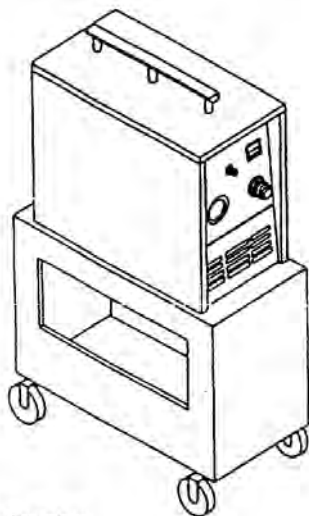
| ITEM | PART# | DESCRIPTION |
|------|-------------|------------------------|
| 2 | N/A | Head Gasket |
| 3 | N/A | Filter/Muffler Element |
| 4 | N/A | Filter Element |
| 6 | N/A | Valve Screw |
| 7 | N/A | Valve Retainer |
| 8 | N/A | Leaf Valve |
| 9 | N/A | Valve Retainer |
| 11 | N/A | Diaphragm |
| 16A | #AW-901-405 | Foam Filter Element |

| ITEM | PART# | DESCRIPTION |
|------|-------------|---------------------|
| n/a | #AW-12004 | Pump Service Kit |
| n/a | #AW-915-402 | Pressure Gauge |
| n/a | #AW-990-450 | Rubber Feet |
| n/a | #AW-990-451 | Switch |
| n/a | #AW-990-452 | Handle |
| n/a | #AW-Z148 | Hospital Grade Plug |



MODEL PCS-4

REPLACEMENT PARTS



Shown here with optional transfer cart.

| PART# | DESCRIPTION |
|-------------|------------------------------------|
| #AW-085-102 | 120 volt/60Hz Pump with suspension |
| #AW-10371 | Control Panel, Silkscreened |
| #AW-11473 | Handle Assembly |
| #AW-12004 | Pump Service Kit |
| #AW-12156 | Pressure Gauge |
| #AW-510-505 | Power Switch |
| #AW-519-501 | 120 volt Ventilation Fan |
| #AW-603-301 | Feet for Cabinet |
| #AW-611-308 | Suspension Spring (1) |
| #AW-8575 | Shipping Carton |
| #AW-901-410 | Cabinet Inlet Filter |
| #AW-903-401 | Pressure Regulator |
| #AW-911-004 | Plastic Tubing 1/4" OD |
| #AW-923-401 | Regulator Diaphragm, V06 |
| #AW-974-402 | Sealing Sleeve 1/4" OD |
| #AW-991-407 | Regulator Bonnet, V06 |
| #AW-991-427 | Filter Element, F100 Trap |
| #69-20232 | Exit Fitting, D.I.S.S. Medical air |
| #AW-Z111 | 5006 J-Bracket |
| #AW-Z148 | 120 Volt Hospital Grade Plug |

Compressors/Timeter/(Discontinued Models)

MODEL PCS -1

| PART NUMBER | DESCRIPTION |
|------------------|---|
| #AW-PCS-1-1A,1B | Light Bulb (2 on unit) |
| #AW-PCS-1-1C | Light Bulb with holder and lens |
| #AW-PCS-1-2 | Elapsed Time Indicator |
| #AW-PCS-1-3 | Sonalert |
| #AW-PCS-1-4 | Pressure Gauge |
| #AW-PCS-1-5 | Regulator (brass locking type) |
| #AW-PCS-1-5A | Regulator Bonnett |
| #AW-PCS-1-6 | On/Off Main Switch |
| #AW-PCS-1-7A | Overload Protector |
| #AW-PCS-1-7B | Overload Protector with lens seal |
| #69-20243 | Exit Fitting with check valve, D.I.S.S. Medical air x 1/8" NPT |
| #AW-PCS-1-9 | Control Panel less components |
| #AW-PCS-1-11 | Sealing Sleeve, needed for each end of nylon tubing, (must be replaced when tubing is replaced) |
| #AW-PCS-1-12 | Nylon tubing 3/8" outside diameter |
| #AW-PCS-1-14 | Pressure Switch |
| #AW-PCS-1-15 | Needle Valve |
| #AW-PCS-1-16P | Hospital Grade Plug |
| #AW-PCS-1-17 | Air Pump Inlet Filter Assembly (two required) |
| #AW-PCS-1-18 | Pop-off valve |
| #AW-PCS-1-19 | High pressure and temperature, teflon hose, bronze braided and fittings complete |
| #AW-PCS-1-20* | Replacement Fan (2) |
| #AW-PCS-1-222 | Preventative Maintenance Kit |
| #AW-PCS-1-222A | Felt elements at medical air pump inlet (2) |
| #AW-PCS-1-222B | Bronze filter element |
| #AW-PCS-1-222C | Gasket for water trap (1) |
| #AW-PCS-1-222D | Water Jar and Automatic Float Assembly |
| #AW-PCS-1-222DA | Bowl |
| #AW-PCS-1-222DB | Automatic Float Assembly |
| #AW-PCS-1-222-AE | Aluminum Grill Element Filter |
| #AW-PCS-1-23 | Battery |
| #AW-PCS-1-24 | 4" heavy duty castors |
| #AW-PCS-1-25 | Water Tray |
| #AW-PCS-1-25A | Funnel for water tray |
| #AW-PCS-1-25T | Overheat Thermostat |
| #AW-PCS-1-26 | Air Pump Overhaul Kit |
| #AW-PCS-1-27 | Air Pump complete with hangers, tubing and sleeves |

*When ordering Replacement Fan, please specify color and length of Fan Blade in your unit.

MODEL PCS-3

- #AW-PCS-22 Preventive Maintenance Kit
- #AW-PCS-174 Inlet Air Filter
- #AW-PCS-3-26 Compressor Overhaul Kit (illustrated)

*Denotes part included in Kit

